

Specialists In Liquid Level Indication

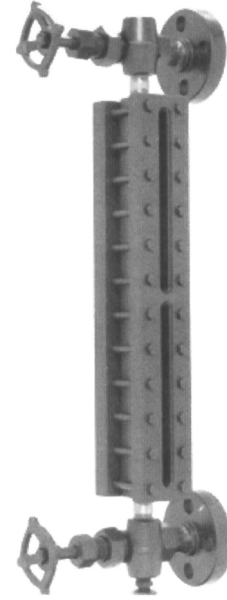
For Pressures Up To 300# ANSI

A RUGGED FLAT GLASS GAGE FOR LOW PRESSURE APPLICATIONS

- Tempered Borosilicate Glass conforming to BS3463, JIS B8211, DIN 7080 and DIN 7081.
- All Gages are Hydrostatically Tested to 1½ times the rated pressure at 100°F (38°C).
- Wetted Parts conform to NACE MR-01-75.
- All Parts listed in ANSI 31.3.
- Recessed Gasket Seat in Chamber and Cover.
- Visible Length from 10-¼”.

Standard construction includes a solid one-piece chamber machined from bar, bar stock covers, tempered glass, steel bolts and nuts. Recessed gasket seats prevent gasket movement. Series 300L gages are available in a variety of materials to meet specific corrosive conditions.

Refer to the Gage Accessories bulletin for extensions, illuminators, support brackets, Neoflon CTFE and mica shields.



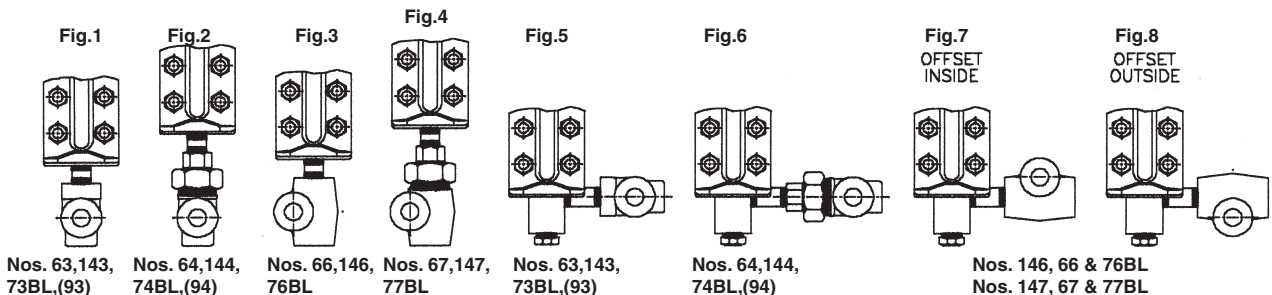
PRESSURE / TEMPERATURE RATINGS (PSIG) Note: Flanged gages are derated to flange rating.

Carbon Steel Chamber					
Temperature		Pressure			
°F	°C	kPaG	BarG	Kg/cm²	PSIG
100	38	5171	51.7	52.7	750
200	93	5171	51.7	52.7	750
300	149	5033	50.3	51.3	730
400	204	4861	48.6	49.5	705
500	260	4585	45.9	46.7	665
600	316	4171	41.7	42.5	605

Stainless Steel Chamber					
Temperature		Pressure			
°F	°C	kPaG	BarG	Kg/cm²	PSIG
100	38	4964	49.7	50	720
200	93	4275	42.78	43.4	620
300	179	3844	38.6	39.2	560
400	204	3551	35.5	36.1	515
500	260	3310	33.1	33.6	480
600	316	3103	31.0	31.5	450

% of Rating	100%	50%
Gasketing	Bonded Compressed Fibers or Teflon Glass Filled	Pure Teflon Neoflon CTFE (Shields)

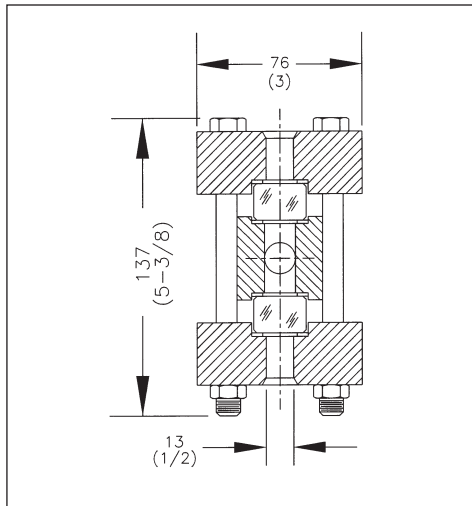
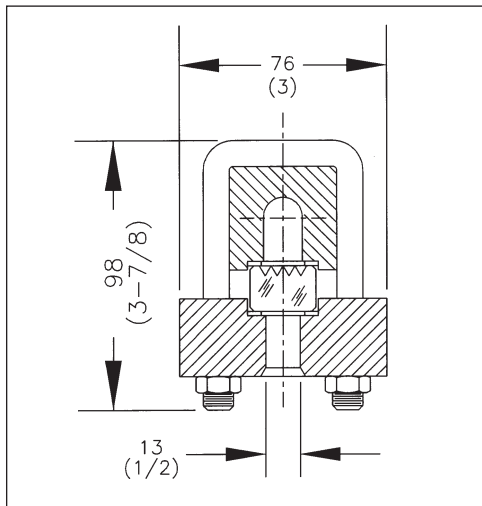
Specify Gage Assemblies by the Figures Below



Specify Jerguson - All Gages are **NOT** Created Equal!

Liquid Level Gages and Valves for the Power and Process Industries

SERIES 300L LIQUID LEVEL GAGES



SERIES R-300L

SERIES T-300L

	Visible Range		Overall Length		Approximate Weight			
					Reflex, R-300L		Transp., T-300L	
	in	mm	in	mm	lbs	Kgs	lbs	Kgs
111	10 1/4	260	12	304	11	5.0	15	6.8
112	11 1/4	286	13	329	12	5.5	16	7.3
113	12 1/4	311	14	355	13	5.9	17	7.7
115	14 1/4	362	16	406	15	6.8	20	9.1
118	17 1/4	438	19	482	18	8.2	26	11.8
120	19 1/4	489	21	533	20	9.1	30	13.6
211	22 3/8	568	24	611	22	10.0	30	13.6
212	24 3/8	618	26	662	24	10.9	32	14.5
213	26 3/8	669	28	713	26	11.8	34	15.5
215	30 3/8	771	32	814	30	13.6	40	18.2
218	36 3/8	923	38	967	36	16.4	52	23.6
220	40 3/8	1025	42	1068	40	18.2	60	27.3
311	34 1/2	875	36 1/4	918	33	15.0	45	20.5
312	37 1/2	951	39 1/4	995	36	16.4	48	21.8
313	40 1/2	1027	42 1/4	1071	39	17.7	51	23.2
315	46 1/2	1180	48 1/4	1223	45	20.5	60	27.3
318	55 1/2	1708	57 1/4	1452	54	24.5	68	30.9
320	61 1/2	1561	63 1/4	1604	60	27.3	90	40.9
411	46 1/2	1182	48 1/4	1226	44	20.0	60	27.3
412	50 1/2	1284	52 1/4	1327	48	21.8	64	29.1
413	54 1/2	1385	56 1/4	1429	52	23.6	78	35.5
415	62 1/2	1588	64 1/4	1632	60	27.3	80	36.4
418	74 1/2	1893	76 1/4	1937	72	32.7	94	42.7
420	82 1/2	2096	84 1/4	2140	80	36.4	120	54.5
511	58 3/8	1489	60 3/8	1533	55	25.0	75	34.1
512	58 3/8	1616	65 3/8	1660	60	27.3	80	36.4
513	68 3/8	1743	70 3/8	1787	65	29.5	95	43.2
515	78 3/8	1997	80 3/8	2041	75	34.1	110	50
518	93 3/8	2378	95 3/8	2422	90	40.9	130	59.1
520	103 3/8	2632	105 3/8	2686	100	45.5	150	68.2
611	70 3/4	1796	72 1/2	1840	66	30.0	90	40.9
612	76 3/4	1949	79 1/2	1992	72	32.7	96	43.6
613	82 3/4	2101	84 1/2	2145	78	35.5	102	46.4
615	94 3/4	2406	96 1/2	2450	90	40.9	120	54.5
618	112 3/4	2863	114 1/2	2907	108	49.1	156	70.9
620	124 3/4	3168	129 1/2	3212	120	54.5	180	81.8

SPECIFICATIONS

SECTION LENGTHS:

Gage Sections are available in six standard glass sizes. Longer gages are constructed with multiple vision slots in a continuous solid bar chamber.

CONNECTIONS:

Standard connections are at top and bottom and are 1/2 and 3/4 NPT female. Optional connections are available, such as socket weld, flanged or close hook-up (side/side)

LIQUID CHAMBER:

Machined from bar stock. The gasket seat is recessed to allow lateral support and facilitate positioning.

COVERS:

Steel is standard. Optional material are available. The cushion gasket is recessed.

BOLTS & NUTS:

Steel fasteners, heat treated for strength.

GLASS:

Tempered borosilicate is used to 600° F (316° C) Transparent glass may be protected from corrosive media with mica or Neoflon CTFE.

GASKETS:

Standard gaskets are precision die-cut in proprietary Jurgeson dies.

FINISH:

All steel parts are finish coated prior to assembly. Stainless steel is not coated.

VALVES

Use of Jerguson gage valves is strongly recommended. Standard features include safety ball checks which help prevent loss of product and physical injury in the event of failure.



JERGUSON® GAGE AND VALVE

A Division of The Clark • Reliance® Corporation
13200 North Promenade • Stafford, TX 77477 USA
Telephone: (281) 240-4243 Fax: (281) 240-7299

JERGUSON® GAGE AND VALVE

A Division of The Clark • Reliance® Corporation
16633 Foltz Industrial Parkway • Strongsville, OH 44136 USA
Telephone: (440) 572-1500 Fax: (440) 238-8828