

Specialists In Liquid Level Indication For Pressures Up To 5000 psi @ 100°F

A heavy-duty gage for safe, dependable service up to 5000 psi @ 100° F

Heavy-duty high pressure Series 40 Jerguson Gages are available in both reflex and transparent types. (Reflex gages assembled with a single plain glass for greater strength.) These gages are designed and manufactured to the highest industry standards. Their dependability under difficult high pressure operating conditions is well known in the process industries.

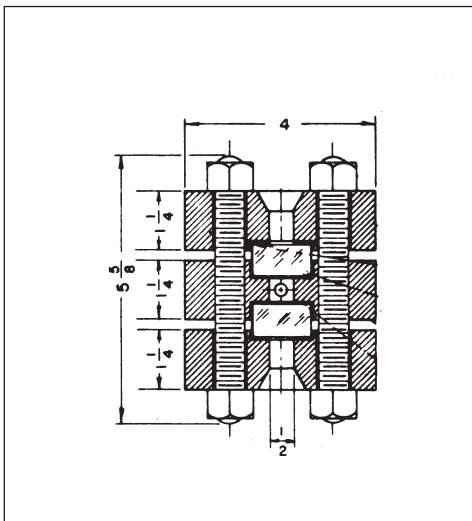
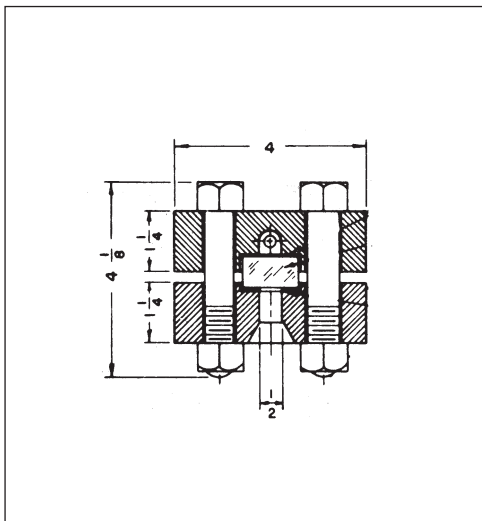
Series 40 gages have a one-piece liquid chamber machined from solid bar steel. Interchangeable sectional gage covers and glasses are tightly locked over the liquid chamber with special bolts and nuts. Recessed gasket seats have a fine finish to provide a positively leakproof seal between the chamber and glass. Wetted parts conform to Nace MR-01-75.



PRESSURE / TEMPERATURE CHART FOR SERIES 40 GAGES

CS & 316 Test Pressure 7500			304 Test Pressure 6375		
PSI	Degrees F	Degrees C	PSI	Degrees F	Degrees C
5000	@ 100°	@ 38	4250	@ 100°	@ 38
4685	@ 200°	@ 93	3980	@ 200°	@ 93
4370	@ 300°	@ 149	3715	@ 300°	@ 149
4055	@ 400°	@ 204	3445	@ 400°	@ 204
3740	@ 500°	@ 260	3180	@ 500°	@ 260
3425	@ 600°	@ 316	2610	@ 600°	@ 316

SERIES 40 LIQUID LEVEL GAGES



SERIES R-40

Size No.	Visible Glass Inches	Overall Length Inches	Min. Ctrs. Side Connection 1/2"	Approx. Wt. Lbs.
----------	----------------------	-----------------------	---------------------------------	------------------

SINGLE-SECTION GAGES				
11-R-40	3 5/8"	7 1/4"	6 1/8"	20
12-R-40	4 5/8"	8 1/4"	7 1/8"	23
13-R-40	5 5/8"	9 1/4"	8 1/8"	26
14-R-40	6 5/8"	10 1/4"	9 1/8"	29
15-R-40	7 5/8"	11 3/8"	10 1/8"	32
16-R-40	9"	12 5/8"	11 1/2"	36
17-R-40	10 1/8"	13 3/4"	12 5/8"	39
18-R-40	11 1/2"	15 3/8"	14 1/4"	43
19-R-40	12 1/2"	16 5/8"	15"	46

TWO-SECTION GAGES				
23-R-40	14 7/8"	18 1/2"	17 3/8"	52
24-R-40	16 7/8"	20 1/2"	19 3/8"	57
25-R-40	19 1/8"	23 3/4"	21 5/8"	64
26-R-40	21 5/8"	25 3/4"	24 1/8"	71
27-R-40	23 3/8"	27 1/2"	26 3/8"	73
28-R-40	27 1/8"	30 3/4"	29 5/8"	86
29-R-40	28 5/8"	32 1/4"	31 1/8"	90

THREE-SECTION GAGES				
36-R-40	34 1/4"	37 5/8"	36 3/4"	106
37-R-40	37 3/8"	41 1/4"	40 5/8"	108
38-R-40	42 1/2"	46 5/8"	45"	129
39-R-40	44 3/4"	48 3/8"	47 1/4"	136

FOUR-SECTION GAGES				
47-R-40	51 1/8"	55"	53 3/8"	142
48-R-40	57 3/8"	61 1/2"	60 3/8"	172
49-R-40	60 3/8"	64 1/2"	63 3/8"	181

NOTE:
R-40 Gages supplied with plain glass for greater strength.

SERIES T-40

Size No.	Visible Glass Inches	Overall Length Inches	Min. Ctrs. Side Connection 1/2"	Approx. Wt. Lbs.
----------	----------------------	-----------------------	---------------------------------	------------------

SINGLE-SECTION GAGES				
11-T-40	3 5/8"	7 1/4"	6 1/8"	31
12-T-40	4 5/8"	8 1/4"	7 1/8"	35
13-T-40	5 5/8"	9 1/4"	8 1/8"	40
14-T-40	6 5/8"	10 1/4"	9 1/8"	44
15-T-40	7 5/8"	11 3/8"	10 1/8"	49
16-T-40	9"	12 5/8"	11 1/2"	54
17-T-40	10 1/8"	13 3/4"	12 5/8"	59
18-T-40	11 1/2"	15 3/8"	14 1/4"	65
19-T-40	12 1/2"	16 5/8"	15"	69

TWO-SECTION GAGES				
23-T-40	14 7/8"	18 1/2"	17 3/8"	79
24-T-40	16 7/8"	20 1/2"	19 3/8"	87
25-T-40	19 1/8"	23 3/4"	21 5/8"	97
26-T-40	21 5/8"	25 3/4"	24 1/8"	108
27-T-40	23 3/8"	27 1/2"	26 3/8"	111
28-T-40	27 1/8"	30 3/4"	29 5/8"	131
29-T-40	28 5/8"	32 1/4"	31 1/8"	137

THREE-SECTION GAGES				
36-T-40	34 1/4"	37 5/8"	36 3/4"	161
37-T-40	37 3/8"	41 1/4"	40 5/8"	163
38-T-40	42 1/2"	46 5/8"	45"	196
39-T-40	44 3/4"	48 3/8"	47 1/4"	206

FOUR-SECTION GAGES				
47-T-40	51 1/8"	55"	53 3/8"	215
48-T-40	57 3/8"	61 1/2"	60 3/8"	261
49-T-40	60 3/8"	64 1/2"	63 3/8"	274

SPECIFICATIONS

LENGTHS:

Series 40 gages are available in nine standard visible glass lengths. Multiples of the same size windows in a single piece bar stock liquid chamber are used for longer lengths.

CONNECTIONS:

Standard Series 40 gages are furnished with 1/2" female end connections.

LIQUID CHAMBER:

Machined from bar stock with recessed gasket seats.

COVERS:

Steel, recessed gasket seats.

BOLTS & NUTS:

Alloy steel to ASTM standards.

GLASS:

Tempered glass. The glass must be protected from mediums that are corrosive to it such as caustic and hydrofluoric acid. Transparent glass with mica shields must be used in these applications.

GASKETS:

Precision die cut from highest quality materials.

NOTES:

It is recommended that all gages be installed with Jerguson gage valves having safety ballchecks which help provide protection against physical injury and loss of product if glass breakage should occur.



JERGUSON® GAGE AND VALVE

A Division of The Clark • Reliance® Corporation
13200 North Promenade • Stafford, TX 77477 USA
Telephone: (281) 240-4243 Fax: (281) 240-7299

JERGUSON® GAGE AND VALVE

A Division of The Clark • Reliance® Corporation
16633 Foltz Industrial Parkway • Strongsville, OH 44136 USA
Telephone: (440) 572-1500 Fax: (440) 238-8828