

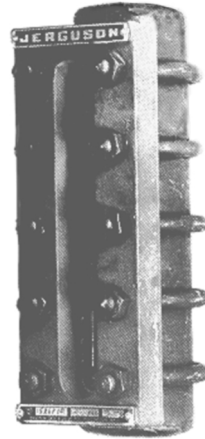
Specialists In Liquid Level Indication For Pressures Up To 2400 psi @ 100°F

Large chamber gages for easy reading of boiling liquids

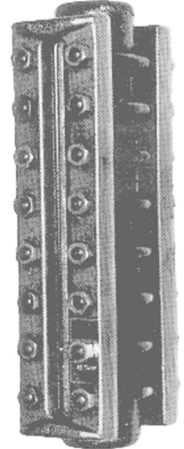
Jerguson Large Chamber Gages are designed to give an accurate liquid level reading of liquids that have a tendency to surge or boil. These gages are highly effective in (1) reducing the boiling effects of entrained gas being released under lowered pressure, (2) the liquid itself being vaporized when pressure reaches a critical low point, and (3) boiling caused by temperatures exceeding the boiling point of the liquid. When the liquid being gaged has an unusually low boiling point the gage and valves should be installed and the gage equipped with a non-frosting unit.

Jerguson Large Chamber Gages are of flat glass reflex or transparent design. The liquid chamber is constructed of heavy tubing, carefully slotted and machined to provide plane seats for the gaskets and glass assemblies. Covers are steel secured with specially designed steel bolts.

Gage glasses are specially processed, heat treated and tempered. Standard connections are 3/4" N.P.T. female end connections. 1/2" or 3/4" N.P.T. side connections are available. 2" flanged or scarfed for welding connections which provide unrestricted flow through the chamber may be specified.



RL-10



TL-10

PRESSURE-TEMPERATURE CHART FOR JERGUSON REFLEX GAGES

Series RL-10		Size Number of Window								
Temp. F	Temp. C	1	2	3	4	5	6	7	8	9
100°	38	2400	2250	2100	1940	1800	1640	1500	1340	1200
200°	93	2220	2090	1950	1810	1670	1540	1400	1260	1130
300°	149	2050	1920	1800	1680	1540	1430	1300	1180	1060
400°	204	1860	1750	1640	1530	1420	1320	1200	1100	1000
500°	260	1690	1600	1500	1400	1300	1210	1110	1010	920
600°	316	1520	1430	1350	1260	1180	1100	1010	920	850

PRESSURE-TEMPERATURE CHART FOR JERGUSON TRANSPARENT GAGES

Series TL-10		Size Number of Window								
Temp. F	Temp. C	1	2	3	4	5	6	7	8	9
100°	38	1200	1110	1020	930	850	760	680	590	500
200°	93	1080	1000	920	840	760	680	600	530	450
300°	149	960	890	830	750	680	620	540	470	400
400°	204	850	790	720	670	600	540	480	420	360
500°	260	730	680	630	570	520	470	420	360	310
600°	316	620	570	530	480	440	400	360	310	270

*FOR TEMPERATURE ABOVE 600°F (316°C) ALUMINOSILICATE GLASS MUST BE USED.

% of Rating	100%	90%	50%
Chamber Material	Carbon Steel, Stainless Steel Series 300 or 300L	Monel	Brass
Gasketing	Bonded Compressed Fibers or Teflon Glass Filled		Pure Teflon Neoflon CTFE (Shields)

TEST PRESSURE: All gages are hydrostatically tested by Jerguson prior to shipment @ 1½ times the design pressure rating at 100° F.

Specify Gage Assemblies by the Figures Below



Nos. 63,143, 73BL,(93)



Nos. 64,144, 74BL,(94)



Nos. 66,146, 76BL



Nos. 67,147, 77BL



Nos. 63,143, 73BL,(93)



Nos. 64,144, 74BL,(94)

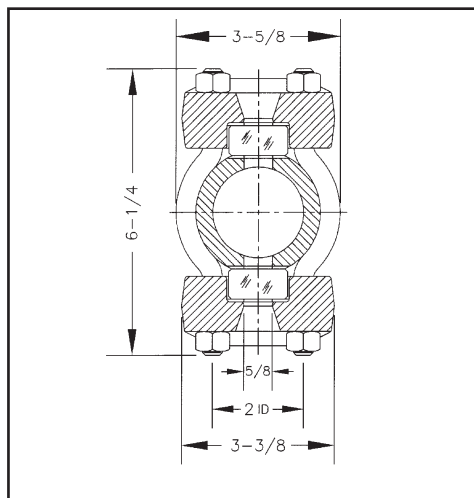
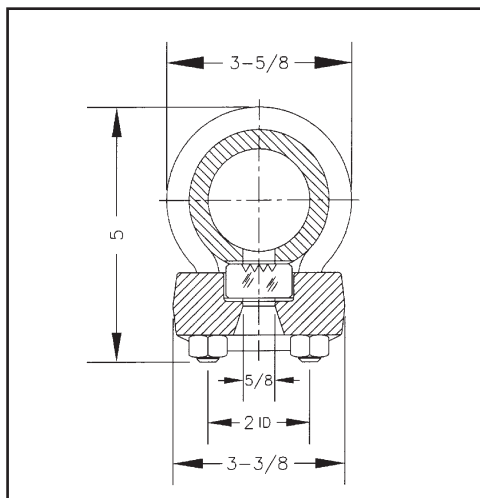


Nos. 146, 66 & 76BL
Nos. 147, 67 & 77BL



Specify Jerguson - All Gages are **NOT** Created Equal!

SERIES RL-10 AND SERIES TL-10 LIQUID LEVEL GAGES



SERIES RL-10

Size No.	Visible Glass Inches	Overall Length Inches	Minimum Side Connection 1/2"	Approx. Wt. Lbs.
----------	----------------------	-----------------------	------------------------------	------------------

SINGLE-SECTION GAGES

11-RL-10	3 3/4"	6 1/4"	5 1/4"	5 5/8"	10
12-RL-10	4 3/4"	7 1/4"	6 1/4"	6 5/8"	11
13-RL-10	5 3/4"	8 1/4"	7 1/4"	7 5/8"	13
14-RL-10	6 3/4"	9 1/4"	8 1/4"	8 5/8"	14
15-RL-10	7 3/4"	10 1/4"	9 1/4"	9 5/8"	17
16-RL-10	9 3/4"	11 1/4"	10 1/4"	11 5/8"	19
17-RL-10	10 3/4"	12 1/4"	11 1/4"	12 5/8"	22
18-RL-10	11 3/4"	14 1/4"	13 3/4"	13 3/4"	24
19-RL-10	12 3/4"	15 1/4"	14 1/4"	14 1/2"	25

TWO-SECTION GAGES

23-RL-10	13"	15 1/2"	14 1/2"	14 5/8"	26
24-RL-10	15"	17 1/2"	16 1/2"	16 5/8"	30
25-RL-10	17 1/4"	19 3/4"	18 3/4"	19 3/4"	34
26-RL-10	19 3/4"	22 1/4"	21 1/4"	21 5/8"	38
27-RL-10	22"	24 1/2"	23 1/2"	23 5/8"	42
28-RL-10	25 1/4"	27 3/4"	26 3/4"	27 5/8"	48
29-RL-10	26 3/4"	29 3/4"	28 3/4"	28 5/8"	52

THREE-SECTION GAGES

36-RL-10	30 3/4"	32 3/4"	31 3/4"	32 1/4"	58
37-RL-10	33 3/4"	36 3/4"	35 3/4"	35 5/8"	64
38-RL-10	38 3/8"	41 1/4"	40 3/8"	40 1/2"	72
39-RL-10	40 7/8"	43 3/8"	42 3/8"	42 1/4"	77

FOUR-SECTION GAGES

47-RL-10	45 1/2"	48"	47"	47 3/8"	85
48-RL-10	52"	54 1/2"	53 1/2"	53 3/8"	96
49-RL-10	55"	57 1/2"	56 1/2"	56 3/8"	102

FIVE-SECTION GAGES

57-RL-10	57 1/4"	59 3/4"	58 3/4"	59 3/8"	88
58-RL-10	65 3/8"	67 3/8"	66 3/8"	67 1/4"	100
59-RL-10	69 3/8"	71 3/8"	70 3/8"	71"	106

SERIES TL-10

Size No.	Visible Glass Inches	Overall Length Inches	Minimum Side Connection 1/2"	Approx. Wt. Lbs.
----------	----------------------	-----------------------	------------------------------	------------------

SINGLE-SECTION GAGES

11-TL-10	3 3/4"	6 1/4"	5 1/4"	5 5/8"	14
12-TL-10	4 3/4"	7 1/4"	6 1/4"	6 5/8"	17
13-TL-10	5 3/4"	8 1/4"	7 1/4"	7 5/8"	20
14-TL-10	6 3/4"	9 1/4"	8 1/4"	8 5/8"	23
15-TL-10	7 3/4"	10 3/8"	9 3/4"	9 5/8"	25
16-TL-10	9 3/4"	11 3/8"	10 3/4"	11 5/8"	29
17-TL-10	10 3/4"	12 3/8"	11 3/4"	12 5/8"	32
18-TL-10	11 3/4"	14 3/8"	13 3/4"	13 3/4"	36
19-TL-10	12 3/4"	15 3/8"	14 3/4"	14 1/2"	38

TWO-SECTION GAGES

23-TL-10	13"	15 1/2"	14 1/2"	14 5/8"	40
24-TL-10	15"	17 1/2"	16 1/2"	16 5/8"	46
25-TL-10	17 1/4"	19 3/4"	18 3/4"	19 3/4"	52
26-TL-10	19 3/4"	22 1/4"	21 1/4"	21 5/8"	59
27-TL-10	22"	24 1/2"	23 1/2"	23 5/8"	65
28-TL-10	25 1/4"	27 3/4"	26 3/4"	27 5/8"	73
29-TL-10	26 3/4"	29 3/4"	28 3/4"	28 5/8"	77

THREE-SECTION GAGES

36-TL-10	30 3/4"	32 3/4"	31 3/4"	32 1/4"	88
37-TL-10	33 3/4"	36 3/4"	35 3/4"	35 5/8"	96
38-TL-10	38 3/8"	41 1/4"	40 3/8"	40 1/2"	110
39-TL-10	40 7/8"	43 3/8"	42 3/8"	42 1/4"	116

FOUR-SECTION GAGES

47-TL-10	45 1/2"	48"	47"	47 3/8"	128
48-TL-10	52"	54 1/2"	53 1/2"	53 3/8"	146
49-TL-10	55"	57 1/2"	56 1/2"	56 3/8"	155

FIVE-SECTION GAGES

57-TL-10	57 1/4"	58 3/4"	58 3/4"	59 3/8"	134
58-TL-10	65 3/8"	66 3/8"	66 3/8"	67 1/4"	152
59-TL-10	69 3/8"	70 3/8"	70 3/8"	71"	161

SPECIFICATIONS

LENGTHS:

Series L-10 gages are available in nine standard visible glass lengths. Multiple windows on a single piece liquid chamber are used for longer lengths.

CONNECTIONS:

End connections with 3/4" N.P.T. are standard. Up to 2" N.P.T. end connections, 1/2" or 3/4" N.P.T. side or back connections and flanged connections are available on request.

LIQUID CHAMBER:

Heavy wall tubing, 2" inside diameter. Gasket seats are machined on the face of the chamber and assembly torques are designed to prevent sidewise movement of gasket.

COVERS:

Steel, recessed gasket seat.

BOLTS & NUTS:

Alloy steel to ASTM standards.

GLASS:

Tempered glass. The glass must be protected from mediums that are corrosive to it such as caustic and hydrofluoric acid. Transparent glass with mica or Neoflon CTFE shields must be used in these applications.

GASKETS:

Precision die cut from the highest quality materials.

NOTE:

It is recommended that all gages be installed with Jerguson gage valves having safety ballchecks which help provide protection against physical injury and loss of product if glass breakage should occur.



JERGUSON® GAGE AND VALVE

A Division of The Clark • Reliance® Corporation
13200 North Promenade • Stafford, TX 77477 USA
Telephone: (281) 240-4243 Fax: (281) 240-7299

JERGUSON® GAGE AND VALVE

A Division of The Clark • Reliance® Corporation
16633 Foltz Industrial Parkway • Strongsville, OH 44136 USA
Telephone: (440) 572-1500 Fax: (440) 238-8828