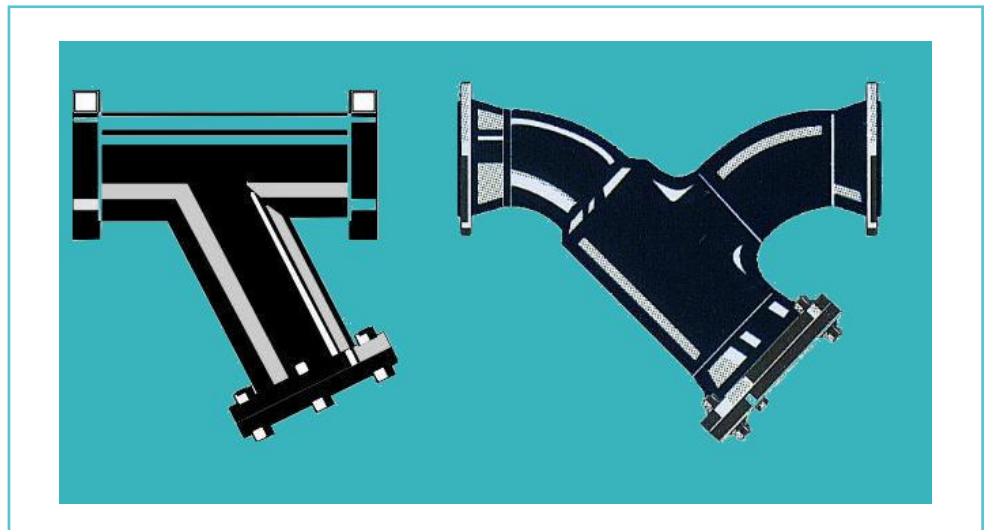


Cebeco A114 & A115 series Y-type strainers

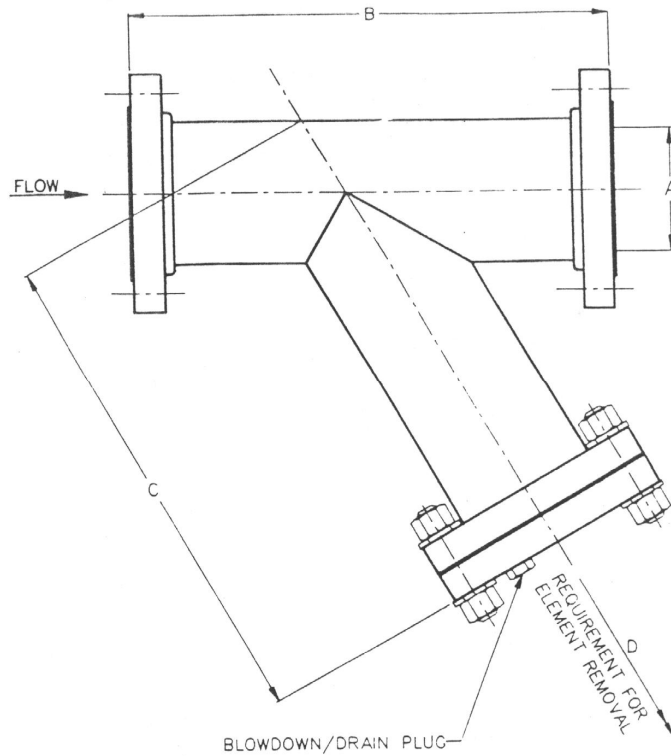
- strong fabricated bodies
- sizes 25mm to 750mm
- variety of body materials available
- wide range of screen apertures
- stainless steel perf & mesh screens
- optional Blowdown facility
- design code compliance



A114 Y-Type strainers

Dimensions

A114 series 50mm to 750mm



Model No.	SIZE A		DIMENSION B		DIMENSION C		DIMENSION D		DRAIN E		ELEMENT AREA	
	in.	mm.	in.	mm.	in.	mm.	in.	mm.	in.	mm.	in ²	cm ²
A114/50	2	50	9.84	250	9.45	240	8.86	225	3/8	10	18	113
A114/65	2.1/2"	65	10.83	275	10.83	275	8.86	225	1/2	15	24	154
A114/80	3	80	11.81	300	11.81	300	11.02	280	3/4	20	32	208
A114/100	4	100	13.98	355	13.98	355	13.19	335	3/4	20	51	326
A114/125	5	125	14.76	375	14.76	375	13.98	355	3/4	20	67	432
A114/150	6	150	15.75	400	15.75	400	14.76	375	3/4	20	85	551
A114/200	8	200	20.08	510	23.62	600	22.64	575	3/4	20	172	1112
A114/250	10	250	23.03	585	27.56	700	26.38	670	1	25	230	1484
A114/300	12	300	25.98	660	33.07	840	31.89	810	1	25	367	2369
A114/350	14	350	28.35	720	36.81	935	35.43	900	1	25	451	2907
A114/400	16	400	29.92	760	40.16	1020	38.78	985	1	25	464	2996
A114/450	18	450	32.28	820	47.24	1200	43.31	1100	1.1/2	40	656	4230
A114/500	20	500	38.19	970	51.57	1310	50.00	1270	1.1/2	40	919	5931
A114/600	24	600	46.46	1180	64.96	1650	63.19	1605	1.1/2	40	1408	9083
A114/750	30	750	59.06	1500	81.30	2065	79.33	2015	1.1/2	40	2212	14270

NOTE: DIMENSIONS SHOWN ARE NOMINAL ONLY.

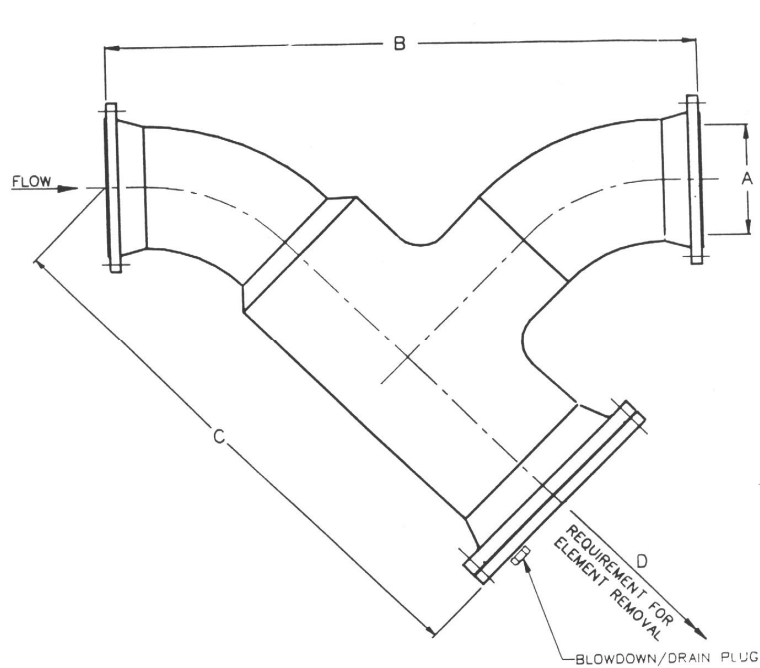
CEBECO PTY. LTD. RESERVE THE RIGHT TO CHANGE DESIGN AND DIMENSIONS WITHOUT NOTICE LARGER

SIZES ARE AVAILABLE ON APPLICATION

A115 Y-type strainers

Dimensions

A115 series 25mm to 750mm



Model No.	SIZE A		DIMENSION B		DIMENSION C		DIMENSION D		DRAIN E		ELEMENT AREA	
	in.	mm.	in.	mm.	in.	mm.	in.	mm.	in.	mm.	in ²	cm ²
A115/25	1	25	11.18	284	11.02	280	6.69	170	3/8	10	25	162
A115/32	1.1/4	32	11.89	302	11.97	304	7.48	190	3/8	10	31	202
A115/40	1.1/2	40	12.91	328	12.36	314	7.48	190	1/2	15	41	262
A115/50	2	50	14.57	370	14.25	362	8.74	222	1/2	15	56	362
A115/65	2.1/2"	65	16.93	430	15.98	406	9.49	241	1/2	15	74	477
A115/80	3	80	18.82	478	22.64	575	11.26	286	3/4	20	109	700
A115/100	4	100	22.83	580	27.40	696	14.76	375	3/4	20	186	1200
A115/125	5	125	28.03	712	27.95	710	18.03	458	3/4	20	285	1841
A115/150	6	150	29.21	742	34.09	866	18.03	458	3/4	20	344	2217
A115/200	8	200	37.72	958	39.96	1015	21.02	534	3/4	20	528	3407
A115/250	10	250	44.29	1125	44.88	1140	24.49	622	1	25	769	4964
A115/300	12	300	50.87	1292	49.69	1262	26.97	685	1	25	1014	6542
A115/350	14	350	57.56	1462	63.98	1625	29.02	737	1	25	1210	7807
A115/400	16	400	65.94	1675	63.98	1625	31.89	810	1	25	1714	11056
A115/450	18	450	74.02	1880	72.44	1840	35.83	910	1.1/4	32	2171	14005
A115/500	20	500	78.94	2005	80.31	2040	39.76	1010	1.1/2	40	2424	15636
A115/600	24	600	94.69	2405	81.69	2075	49.21	1250	1.1/2	40	3597	23205
A115/750	30	750	111.22	2825	96.26	2445	58.66	1490	1.1/2	40	6494	41895

NOTE: DIMENSIONS SHOWN ARE NOMINAL ONLY.

CEBECO PTY. LTD. RESERVE THE RIGHT TO CHANGE DESIGN AND DIMENSIONS WITHOUT NOTICE LARGER SIZES ARE AVAILABLE ON APPLICATION