

Automatic Recirculation Valve – Data Sheet

Please use this data sheet to send your inquiries to us. Items marked in bold print indicate essential information.

Part 1 – Company Information

Name:	Title:
Company:	Telephone:
E-mail:	Fax:

Part 2 – Order Information

General:	Quantity:	Application:
Tag No.:	Valve Model: 78PS Automatic Recirculation Valve	Project Name:
		Projekt No:

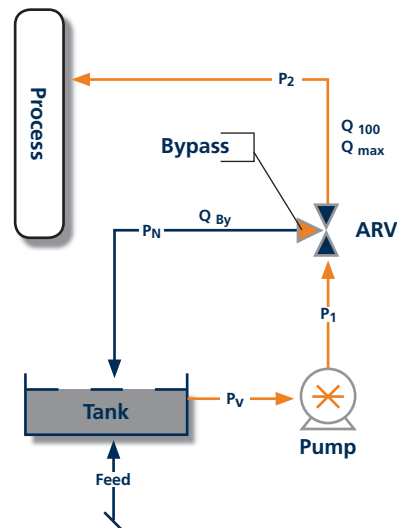
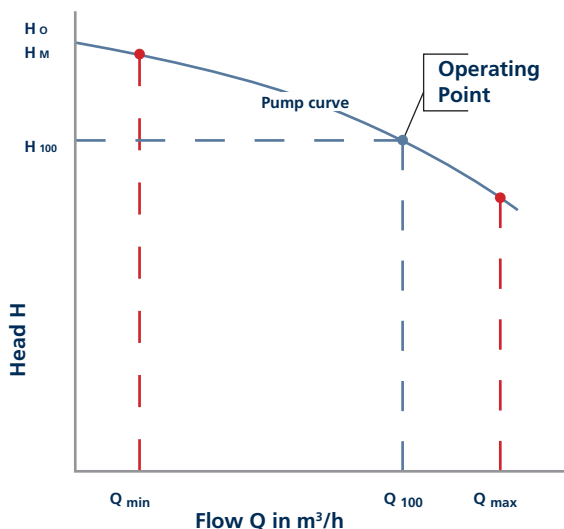
Part 3 – Valve and Process Information

Valve Information:	Valve Inlet Size (DN/Inch):	Valve Inlet Pressure Rating:
	Valve Outlet Size (DN/Inch):	Valve Outlet Pressure Rating:
	Bypass Outlet Size (DN/Inch):	Bypass Outlet Pressure Rating:
	Materials Housing:	Materials Trim:
	Installation: Vertical <input type="checkbox"/> or Horizontal <input type="checkbox"/>	

Process Information:	Process:			
	Medium:	Liquid or Gas:	PED Fluid Group 1 or 2:	
	Density:	kg/m ³	Op.Temp.:	°C
			Fluid Vapor Pressure:	(bar _a)

Pump Information:	Q _{min} =	m ³ /h	H _M =	m	Suction pr. P _V :	(bar/psi)
	Q ₁₀₀ =	m ³ /h	H ₁₀₀ =	m	Backpress. P ₁ :	(bar/psi)
	Q _{max} =	m ³ /h			Backpress. P _N :	(bar/psi)
	Q _{By} =	m ³ /h			Differential pr. (P ₁ -P _N):	(bar/psi)

Part 4 – Please use the charts below to define the information required in part 3



Notes:

.....

Send To: SchuF Fetterolf E-Mail: valves@schuf.com Fax: +49 6198 571200