

GITS

MANUFACTURING

Product Catalog

- Oil Hole Covers and Cups
- Bottle and Brush Oilers
- Liquid Level View Gauges
- Breather and Pressure Vents
- Expansion Chambers
- Automatic Lubrication Systems
- Magnetic Plugs
- Shaft Seals

www.gitsmfg.com



QS-9000:1998
FM 79740

Gits Manufacturing Company has the widest variety of lubrication devices available in one location. NPT, BSP, Metric and other thread standards are now available. For special designs, materials, finishes, or other special requests, please call, write, fax or E-mail us. Our special design and manufacturing is not limited to the lubrication field. We will be happy to discuss any project that you have. At Gits, we are committed to helping you solve your special problem.

Products in this catalog are available from Gits Authorized Industrial Distributors. For a distributor near you, please call **641-782-2105, or 800-323-3238**. Our fax number is **641-782-6365**. For more information visit us on the web at www.gitsmfg.com.

Gits Manufacturing Company is dedicated to providing quality products as exemplified by our registered certification. All products in this catalog are carefully inspected during the manufacturing process and before shipment. They are guaranteed against defects in materials and workmanship. Our obligation under this guarantee is limited to replacing any part which proves, upon our examination, to have been defective in manufacturing. As part of the development process, Gits reserves the right to modify any product or specification without prior notice. All sizes, weights and measures are approximate. The products in this catalog do not release chemicals and are therefore exempt from Code of Federal Regulations Hazardous Communications set forth by the Occupational Safety and Health Administration.

Gits Manufacturing Company provides our customers with registered certified quality goods combined with low cost. Our facilities produces goods ranging from all types of castings to machining, assembly and testing.

Gits employees in all locations strive to provide customer satisfaction and
“To Be Better Today Than We Were Yesterday”

Locations in:
Creston, Iowa USA
Chonburi, Thailand
Shanghai, China

CONTENTS

OIL HOLE COVERS AND CUPS	3
BOTTLE OILERS AND BRUSH OILERS	17
LIQUID LEVEL VIEW GAUGES	26
BREATHERS, EXPANSION CHAMBERS	37
PRESSURE/VACUUM VENTS, FUSIBLE CAPS	41
MAGNETIC PLUGS	45
GREASE PRODUCTS	46
SHAFT SEALS	47
EQUIVALENTS CHART	50
AUTOMATIC LUBRICATION SYSTEMS, GREASE AND OIL	48
INDEX	51

OIL HOLE COVERS AND CUPS



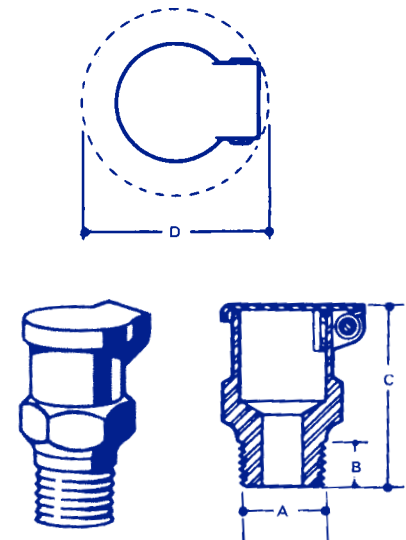
STYLE B THREADED

Selected for applications where maximum durability and dependability are essential. Features include hexagon wrench holds for easy installation and self-closing spring-hinged cover. Machined from solid bar stock, Style B covers offer greatest possible protection against accidental damage and assure a tight fit and dependable bearing protection. Used on machinery, motors and moving parts of every description. Note that No. 118 has a female pipe thread, for connecting a nipple or pipe extension to reach distant bearings.

steel, zinc plated

a.	b.	c.	d.	Item Number
1/4-32 UNEF	5/32	9/16	11/16	00101
10-32 UNF	3/16	9/16	3/4	00102
1/4-32 UNEF	3/16	9/16	3/4	00103
5/16-32 UNEF	3/16	9/16	3/4	00104
1/4-32 UNEF	1/4	3/4	3/4	00105
5/16-32 UNEF	1/4	27/32	13/16	00107
1/8-27 NPT	1/4	13/16	13/16	00108
1/8-27 NPT	9/32	7/8	29/32	00110
1/2-24 NS	9/32	7/8	29/32	00111
1/8-27 NPT	13/32	1 5/32	1 7/32	00112
1/4-18 NPT	13/32	1 5/32	1 7/32	00113
3/8-18 NPT	3/8	1 9/32	1 7/32	00114
1/8-27 NPT	13/32	1 5/32	1 7/32	*00118
1/2-14 NPT	9/16	1 7/8	1 7/16	00121

*00118 has female pipe threads



STYLE O THREADED

These substantially-built covers meet the need for extremely durable oil hole protection. Can be used where overhead clearance is limited, or where access to bearings may be difficult. Machined from solid bar stock for maximum strength and dependability. Self-closing covers prevent lubricant contamination. Hexagon wrench holds on most models.

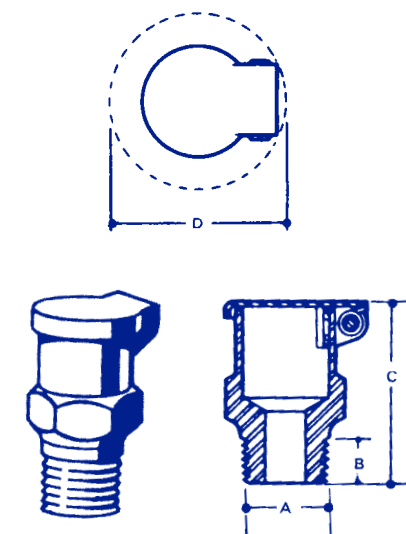
Use Nos. 202 to 211 and no. 230 where overhead space is limited. Use nos. 212 to 221 with extra long bodies to reach remote bearings.

steel, zinc plated

a.	b.	c.	d.	Item Number
10-32 UNF	3/16	1/2	3/4	00202
3/8-24 UNF	3/16	9/16	3/4	00205
1/8-27 NPT	7/32	23/32	13/16	00208
1/8-27 NPT	9/32	23/32	29/32	00209
1/4-18 NPT	3/8	31/32	1 7/32	00211
1/8-27 NTP	5/16	2 1/2	13/16	00212
1/8-27 NTP	5/16	1 3/4	13/16	00218
1/4-32 UNEF	3/16	1 3/8	11/16	00221
1/8-27 NPT	1/4	5/8	3/4	00230

brass

10-32 UNF	1/4	21/32	3/4	05-10
1/4-20 UNF	1/4	31/32	3/4	05-11

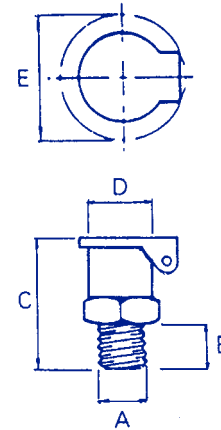


British Pipe Thread

THREADED OIL CUPS

brass, nickel plated

a.	b. mm	c. mm	d. mm	e. mm	Hex A/Flats	Item Number
1/8 - BSP	6.4	17.5	9.5	20.6	7/16	6101-1
1/4 - BSP	11.1	26.2	15.9	31.8	11/16	6102-1
1/8 - BSP	38.1	50.8	9.5	23.8	7/16	6103-1
1/8 - BSP	9.5	31.8	15.9	31.8	11/16	6104-1



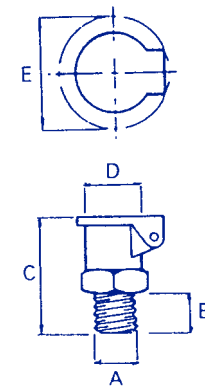
Metric Thread

THREADED OIL CUPS

Has rotating spring lid

brass, nickel plated

a.	b. mm	c. mm	d. mm	e. mm	Hex A/Flats	Item Number
M5 x 0.8	4.0	15.0	7.5	16.0	8mm	6105-1
M6 x 1	5.0	15.0	7.5	16.0	8mm	6106-1
M6 x 1	5.0	15.0	9.5	19.0	10mm	6107-1
M8 x 1	5.0	18.5	9.5	19.0	10mm	6108-1
M8 x 1.25	6.0	18.5	11.0	21.0	12mm	6109-1
M10 x 1.5	6.0	22.0	12.5	22.0	14mm	6110-1
M10 x 1	6.0	22.0	12.5	22.0	14mm	6111-1
M12 x 1.5	8.0	27.5	15.0	27.0	17mm	6112-1

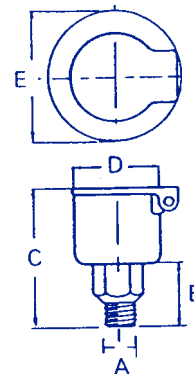


British Pipe Thread

THREADED OIL CUPS

steel, nickel plated

a.	b. mm	c. mm	d. mm	e. mm	Hex A/Flats	Item Number
1/8 - BSP	17.5	36.5	15.9	31.8	7/16	6113-1
1/8 - BSP	17.5	32.5	19.1	34.9	7/16	6114-1
1/8 - BSP	20.6	47.6	25.4	41.3	9/16	6115-1
1/4 - BSP	20.6	47.6	25.4	41.3	9/16	6116-1
1/8 - BSP	20.6	47.6	25.4	41.3	9/16	6117-1
1/4 - BSP	23.8	68.3	41.3	63.5	11/16	6118-1
1/4 - BSP	28.6	85.7	57.2	79.4	11/16	6119-1
3/8 - BSP	29.4	85.7	57.2	79.4	11/16	6120-1
1/2 - BSP	31.8	88.9	57.2	79.4	7/8	6121-1

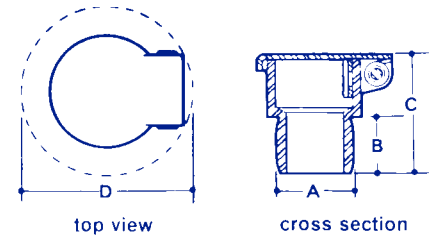


STYLE R SHOULDER DRIVE

Style R oil hole covers press fit into a drilled hole. Slightly tapered shank assures snug fit; shoulder provides for insertion to a predetermined depth so that cover may be driven in without danger of cracking castings.

steel, zinc plated

a.	Drive Diameter		b.	c.	d.	Item Number
	min.	max.				
3/16	.190	.193	7/32	15/32	3/4	00300
1/4	.253	.255	1/4	7/16	3/4	*00302
3/8	.378	.380	5/16	11/16	31/32	00304
1/2	.503	.505	3/8	13/16	1 7/32	00305
3/4	.753	.755	9/16	1 3/16	1 13/16	00307
7/8	.878	.880	1/2	1 1/16	1 13/16	00308
1	1.003	1.005	19/32	1 5/16	2 3/32	00308B
1 1/4	1.253	1.255	13/16	1 11/16	2 7/16	00309
1 1/2	1.503	1.505	1/2	1 1/4	2 7/16	00311
1/4	.253	.255	9/32	11/16	13/16	00316
5/32	.158	.160	9/32	21/32	13/16	00318
5/16	.315	.317	5/16	19/32	29/32	00325
1/4	.253	.255	7/32	15/32	11/16	00330
7/16	.440	.442	7/32	7/8	1 7/32	00334



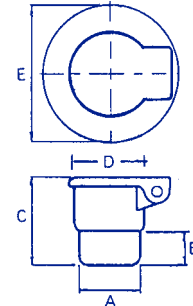
* Brass, zinc plated

Metric

SHOULDER DRIVE

steel, nickel plated

Hole Diameter	a.	b. mm	c. mm	d. mm	e. mm	Item Number
6mm	6mm Taper	5.6	11.9	7.2	15.9	6122-1
7mm	7mm Taper	6.4	13.5	8.9	19.1	6123-1
8mm	8mm Taper	7.1	15.1	10.5	20.6	6124-1
10mm	10mm Taper	7.1	18.3	12.7	25.4	6125-1

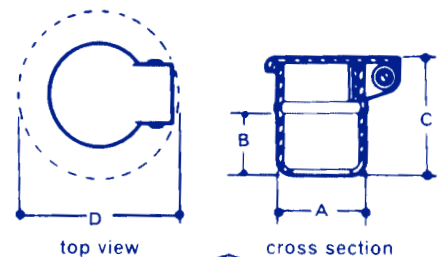


STYLE G BEADED DRIVE

To control depth of insertion use these oil hole covers with beaded side wall which provides a definite insertion limit. Tapered shanks seat snugly within drilled hole.

steel, zinc plated

a.	Drive Diameter		b.	c.	d.	Item Number
	min.	max.				
1/4	.253	.255	5/32	13/32	11/16	00501
5/16	.315	.317	7/32	1/2	3/4	00502
3/8	.378	.380	7/32	17/32	25/32	00503
7/16	.441	.443	5/16	11/16	29/32	00504
1/2	.503	.505	5/16	11/16	31/32	00505
10mm	.399	.402	5/16	9/16	3/4	134-9

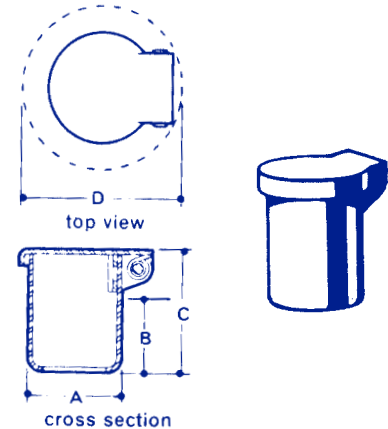


STYLE E PLAIN DRIVE

Style E oil covers feature a plain side wall. They are generally driven into a drilled hole up to the bottom of the staple on the cup. Small sizes may serve as an oil cup; large ones as filler caps for large reservoirs or tanks. Here is oil hole protection at minimum cost consistent with conscientious manufacturing and dependable quality. Heavy gauge drawing materials are used in making the bodies and covers.

steel, zinc plated

a.	Drive Diameter		b.	c.	d.	Item Number
	min.	max.				
3/8	.378	.380	1/4	1/2	25/32	00403
7/16	.441	.443	7/16	11/16	29/32	00404
5/8	.628	.630	1/2	13/16	1 7/32	00405
1 13/64	1.206	1.208	9/16	1 1/16	2 3/32	00408
1 9/16	1.564	1.567	1/2	1	2 7/16	00409
2 7/32	2.221	2.224	7/8	1 3/8	3 3/16	00410
1/4	.247	.252	1 13/32	1 5/8	11/16	00411
1/4	.247	.252	2 25/32	3	11/16	00414

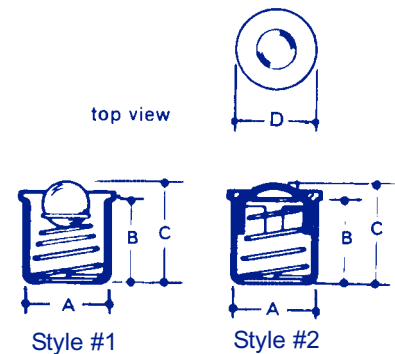


STYLE GB BALL OILER

Where flush type oilers are desired, the Style GB with ball valve opening provides durable, easily assembled protection requiring minimum top clearance. The easily depressed ball valve (music wire spring) instantly closes when pressure is released. Nos. 520, 521 and 522 are constructed with steel balls (Cross Section No. 1). All others feature bubble closures (Cross Section No. 2).

steel, zinc plated

	a.	Drive Diameter		b.	c.	d.	Item Number
		min.	max.				
#1	3/16	.190	.192	1/4	9/32	7/32	00520
	1/4	.253	.255	9/32	5/16	9/32	00521
	5/16	.315	.317	5/16	3/8	11/32	00522
#2	3/8	.378	.380	3/8	15/32	13/32	00523
	7/16	.441	.443	15/32	17/32	15/32	00524
	1/2	.503	.505	17/32	9/16	17/32	00525



stainless steel

#1	5/16	.315	.317	5/16	3/8	11/32	144-16
----	------	------	------	------	-----	-------	--------

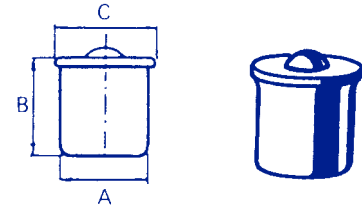


Metric

BALL VALVE OILERS

steel, zinc plated

Hole Diameter	a. mm	b. mm	c. mm	Item Number
5mm	5.1	6.0	5.5	6126-1
6mm	6.1	7.0	6.5	6127-1
8mm	8.1	9.0	9.0	6128-1
10mm	10.1	11.0	11.0	6129-1

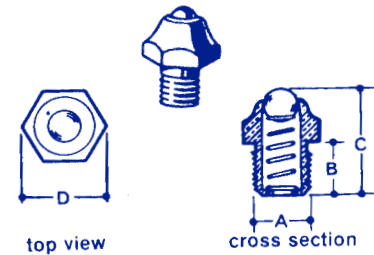


STYLE S BALL VALVE THREADED

Where a low setting screw type oiler is desired employ GITS Style S oilers for protection and convenience. The ball valve is held in its closed position by a sturdy, easily compressed music wire spring. These oilers are machined from solid bar stock. Hexagon wrench holds assure easy installation.

brass, zinc plated

a.	b.	c.	d.	Item Number
1/4-32 UNEF	7/32	7/16	3/8	00550
5/16-32 UNEF	3/16	15/32	15/32	00551
1/8-27 NPT	1/4	9/16	17/32	00553



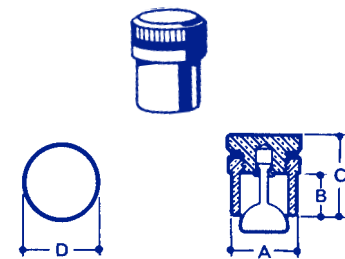
STYLE RS SCREW TOP, SHOULDER DRIVE STYLE RS SCREW TOP THREADED

Here is vapor-tight protection for bearings—as required on many applications. Screw tops are accurately threaded for snug fit; in addition, tops are fitted with a gasket to assure vapor-tight closure. For extra convenience and protection, tops are anchored to oiler body. Screw tops have a knurled edge for finger hold.

STYLE RS SCREW TOP, SHOULDER DRIVE

brass, zinc plated

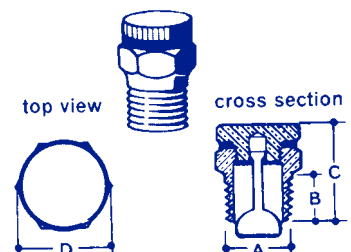
a.	Drive Diameter		b.	c.	d.	Item Number
	min.	max.				
1/4	.253	.255	1/4	7/16	11/32	00531
5/16	.315	.317	9/32	1/2	13/32	00532
3/8	.378	.380	9/32	17/32	15/32	00533
7/16	.441	.443	5/16	19/32	17/32	00534
1/2	.503	.505	5/16	19/32	19/32	00535



STYLE RS SCREW TOP, THREADED

brass, zinc plated

a.	b.	c.	d.	Item Number
5/16-32 UNEF	7/32	1/2	3/8	00541
1/8-27 NPT	7/32	17/32	17/32	00543
1/4-18 NPT	11/32	11/16	11/16	00546



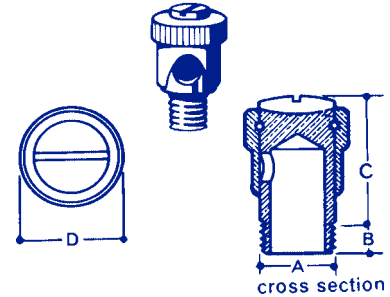
OIL HOLE COVERS, WICK FEED OIL CUPS

STYLE I REVOLVING SLEEVE

A dust-proof oil hole cover of the "Revolving Sleeve" type frequently selected for locations where space is limited. Threaded and slotted for screw driver insertion in a tapped hole. Convenient knurled finger hold. For either horizontal or vertical use.

brass, nickel plated (aluminum cap)

a.	b.	c.	d.	Item Number
10-32 UNF	5/32	11/16	7/16	01900
1/4-32 UNEF	3/16	11/16	7/16	01901
5/16-32 UNEF	3/16	13/16	1/2	01902
3/8-24 UNF	7/32	7/8	9/16	01903
1/8-27 NPT	3/16	15/16	5/8	01905



WICK FEED OIL CUPS

Available in Metric or British Pipe Thread, call Gits for a quote.

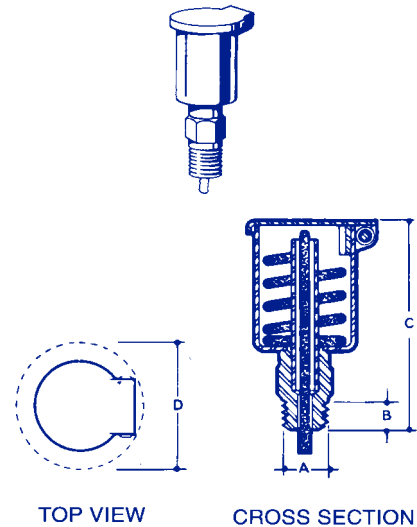
GITS Oil Feed Wicking is a proven method of positively filtering dust or other foreign matter, definitely preventing them from reaching the bearing. Wicking is either wool yarn, wool felt or woven cotton. Wire-cored cotton wicking feeds clean oil from the cap to the bearing by means of capillary action. Saturation of the wicking keeps the bearing moist long after oil cup is drained.

STYLE WC BRAZED

Style WC oil cups are made by adding a standpipe and wicking to Style C oilers. Especially recommended for above-the-bearing applications, GITS Wick Feed oil cups have extremely sturdy construction and long life at low cost.

steel, zinc plated

Capacity in ounces	a.	b.	c.	d.	Item Number	Wick Reorder Number
1/32	5/16-32 NEF	7/32	1 21/32	31/32	02101	3078-15
3/32	1/8-27 NPT	3/8	2	1 7/32	02102	3078-22
5/32	1/8-27NPT	11/32	2 5/32	1 7/16	02103	3078-21
3/8	1/4-18 NPT	3/8	2 11/32	1 13/16	02104	3078-2
5/8	1/4-18 NPT	3/8	2 15/32	2	02105	3078-3
1 1/2	3/8-18 NPT	3/8	3 1/32	2 7/16	02106	3078-18
3	1/4-18 NPT	3/8	2 29/32	3 3/16	02107	3078-17
4 7/8	1/4-18 NPT	7/16	3 1/2	3 13/16	02108	451-1
4 7/8	3/8-18 NPT	3/8	3 1/2	3 13/16	02109	451-1
13 1/4	1/4-18 NPT	21/32	3 7/8	5 3/16	02111	452-1
13 1/4	3/8-18 NPT	21/32	3 15/16	5 3/16	02112	452-1
13 1/4	1/2-14 NPT	11/16	4 1/16	5 3/16	02113	452-1
1 1/2	1/4-18 NPT	3/8	2 31/32	2 7/16	02114	3078-18
3/8	1/8-27 NPT	3/8	2 1/4	1 13/16	02115	3078-2
5/8	1/8-27 NPT	3/8	2 13/32	2	02116	3078-20



OIL FEED WICKING

Item No.	SIZE	DESCRIPTION
451-100001	1/8"	Wool Yarn Wicking
461-100001	5/32"	Woven Cotton Wicking
461-200001	3/16"	Wool Felt Wicking
461-300001	1/4"	Wool Felt Wicking

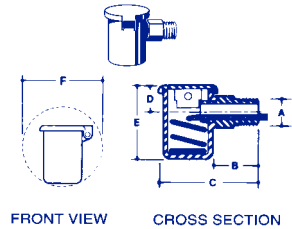
Item No.	SIZE	DESCRIPTION
461-400001	5/16"	Wool Felt Wicking
461-600001	1/8"	Wool Felt Wicking
461-700001	1/8"	Wire Cored Cotton Wicking
461-800001	1/4"	Wire Cored Cotton Wicking

STYLE WY SIDE FEED WICK

Style WY is similar to DF series. Note that the self-closing cover hinges at a 90° angle to the shank instead of parallel as in the case of the DF

steel, zinc plated

Capacity in ounces	a.	b.	c.	d.	e.	f.	Item Number	Wick Reorder Number
3/16	1/8-27 NPT	9/16	1 3/4	7/16	1 7/16	2 1/8	02505	3078-195

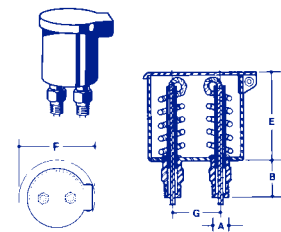


STYLE MWA MULTIPLE WICK FEED

Style MWA provides a central reservoir for lubrication of two bearings. Using compression fittings and tubing to carry the oil to two bearing locations you can replace several oil cups.

steel, zinc plated

Capacity in ounces	a.	b.	c.	d.	e.	f.	g.	Item Number
1 1/2	1/8-27 NPT	7/8	-	-	2	2 1/4	7/8	03902



STYLE WD KNURLED

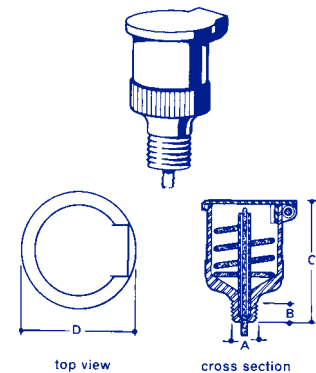
Similar in construction to Style D oilers (page 12), except that Style WD oilers have standpipes and wicking. Used on farm implements, tractors and other outdoor machinery where use of a Wick Feed oil cup positively filters damaging dust and grit from bearings. Excessive vibration cannot interfere with a continuous lubricant supply.

Nos. 2201, 2202, 2203, and 2207 are of rugged one-piece construction to permit gripping with pipe wrench or pliers. No. 2208 is of two-piece construction with hexagon wrench holds on the stem.

steel, zinc plated

Capacity in ounces	a.	b.	c.	d.	Item Number	Wick Reorder Number
3/64	1/8-27 NPT	3/8	1 1/4	1 7/32	02201	3078-15
1/8	1/8-27 NPT	7/16	1 7/16	1 7/16	02202	3078-21
1/4	1/8-27 NPT	7/16	1 9/16	1 13/16	02203	3078-2
1/4	1/4-18 NPT	7/16	1 9/16	1 13/16	02207	3078-2
1/2	1/4-18 NPT	11/16	1 7/8	1 3/4	02208*	3078-20

*has hexagon wrench holds

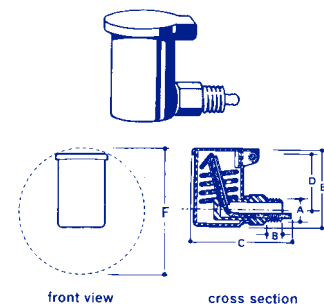


STYLE W ELBOW

For a slow but continuous oil feed use Style W Wick Cups (construction identical to Style Y, see page 14). Wire cored cotton wicking feeds by capillary action. Positively filters dirt or other foreign matter. When oiler is filled above top of standpipe, surplus oil serves to flush bearing. Saturation of the wicking keeps bearing moist long after oil cup is drained.

steel, zinc plated

Capacity in ounces	a.	b.	c.	d.	e.	f.	Item Number	Wick Reorder Number
1/8	1/8-27 NPT	3/8	1 15/32	1	1 11/32	2 3/8	02002	3078-6
3/16	1/8-27 NPT	3/8	1 11/16	1 1/16	1 7/16	2 5/8	02003	3078-2



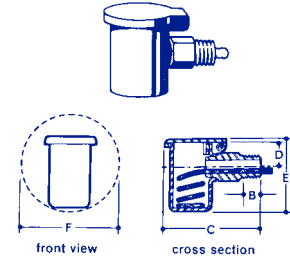
WICK FEED OIL CUPS, GRAVITY FEED OIL CUPS

STYLE DF SIDE-FEED

Made exclusively for wick feed in horizontal applications where clearances require assembly in limited space. Due to its construction oil is fed through the Style DF stem without use of an internal tube or standpipe.

steel, zinc plated

Capacity in ounces	a.	b.	c.	d.	e.	f.	Item Number	Wick Reorder Number
5/32	1/8-27 NPT	1/2	1 3/8	7/16	1 3/16	1 9/16	02301	3078-15
9/32	1/8-27 NPT	15/32	1 9/16	17/32	1 11/32	1 13/16	02302	3078-195



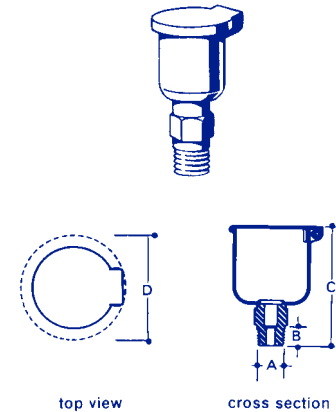
OIL CUPS WITH CAPACITY

STYLE C BRAZED

Oiler bodies are fine quality drawn construction. Craftsmanship and care assure dependable service and long life. The shank, accurately turned from solid hexagon bar stock, gives a non-slip wrench hold. Body and shank are securely brazed to form a leak-proof joint.

steel, zinc plated

Capacity in ounces	a.	b.	c.	d.	Item Number
5/64	1/8-27 NPT	5/16	1 1/2	1 7/32	01001
9/64	1/8-27 NPT	5/16	1 21/32	1 7/16	01002
11/32	1/8-27 NPT	5/16	1 29/32	1 13/16	01003
11/32	1/4-18 NPT	3/8	2	1 13/16	01004
5/8	1/4-18 NPT	3/8	2 5/32	2	01005
1 11/32	3/8-18 NPT	3/8	2 9/16	2 7/16	01006
4 1/4	1/2-14 NPT	9/16	3 9/16	3 3/16	01007
1 11/32	1/4-18 NPT	3/8	2 1/2	2 7/16	01013
14 1/2	1/2-14 NPT	9/16	3 13/16	5 3/16	01020
	1/8-27 NPT	3/8	2	1 13/16	287-11*



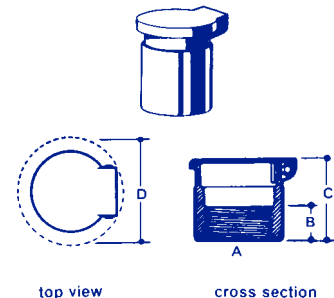
*Ether Cup

STYLE CP PIPE FITTING

Style CP cups are made at modest cost from standard wrought iron pipe couplings. These extremely sturdy oilers are used as filler caps for large reservoirs and heavy journals requiring generous oil capacity.

steel, zinc plated

Capacity in ounces	a.	b.	c.	d.	Item Number
1/8	1/4-18 NPT*	7/16	1	1 7/16	01301
1	1-11 1/2 NPT*	3/4	1 9/16	2 9/32	01305



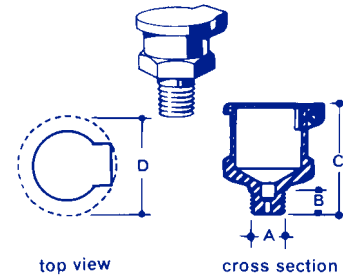
*Female

STYLE HB HEXAGON BODY

Style HB oilers combine unusual strength and extrarigid construction with durability and low cost. Machined from solid hexagon bar stock...provides a sure wrench hold. Ruggedly built to withstand abuse.

steel, zinc plated

Capacity in ounces	a.	b.	c.	d.	Item Number
3/64	1/8-27 NPT	7/16	15/16	1 7/32	01450
3/32	1/8-27 NPT	7/16	1 3/16	1 7/16	01451
5/32	1/8-27 NPT	7/16	1 21/32	1 7/16	01501

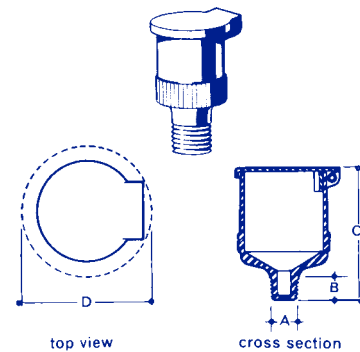


STYLE D KNURLED

These high quality, low cost GITS oilers unlike most GITS oilers are designed for assembly with an ordinary pipe wrench or pliers. Generally used on heavy machinery and farm implements. Nos. 1601, 1602, 1603 and 1607 are turned from solid round bar stock. The extra-heavy oiler body is knurled and may be gripped with pipe wrench or pliers without damage. Nos. 1608 and 1609 are of 2-piece construction, with a hexagon wrench hold on the stem.

steel, zinc plated

Capacity in ounces	a.	b.	c.	d.	Item Number
5/64	1/8-27 NPT	3/8	1 1/4	1 7/32	01601
9/64	1/8-27 NPT	7/16	1 7/16	1 7/16	01602
17/64	1/8-27 NPT	7/16	1 9/16	1 13/16	01603
17/64	1/4-18 NPT	7/16	1 9/16	1 13/16	01607
5/8	1/4-18 NPT	3/4	2 11/32	2	01608*
1 19/32	1/4-18 NPT	3/4	2 5/8	2 7/16	01609*



*has hexagon wrench holds

ANGLED OIL CUPS

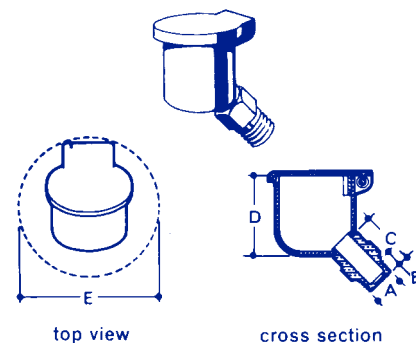
STYLE T ANGLE

When machine design dictates neither a vertical nor a horizontal fitting, Style T Angle oil cups are recommended for 45° installation.

Cups are drawn from cold rolled strip and the brazed-in shank cut from solid hexagon bar stock.

steel, zinc plated

Capacity in ounces	a.	b.	c.	d.	e.	Item Number
1/16	1/8-27 NPT	5/16	27/32	5/8	1 1/2	00901
1/8	1/8-27 NPT	5/16	27/32	3/4	1 3/4	00902

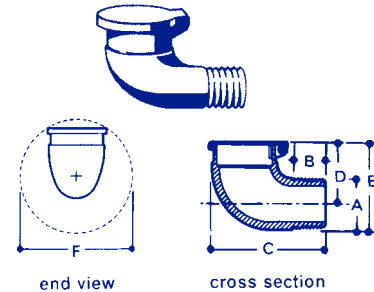


STYLE LP PIPE FITTING

A highly durable oil cup made from 90° standard malleable iron. Used as a reservoir filler, overflow gauge and similar uses requiring large capacity and matchless durability.

steel, zinc plated

Capacity in ounces	a.	b.	c.	d.	e.	f.	Item Number
1/4	1/4-18 NPT	5/8	1 5/8	3/4	1 1/8	1 15/16	01401
1 1/2	3/4-14 NPT	1	2 9/15	1 3/16	1 3/4	3	01404
2	1-11 1/2 NPT	1 1/8	3	1 5/16	2	3 3/8	01405

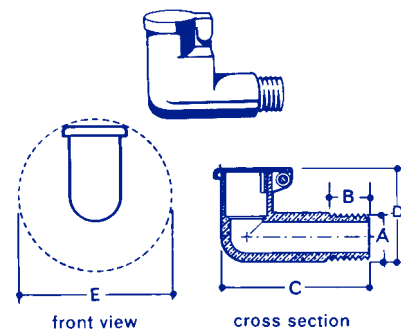


STYLE L ELBOW THREADED

Style L oilers are used extensively on motors and small machinery requiring side oiling and extremely low cost. Zinc plated one-piece die-casting has flat wrench hold on most Style L screw-type oilers. For drive-in models see page 14.

diecast, zinc plated

a.	b.	c.	d.	e.	Item Number
10-32 UNF	5/32	3/4	19/32	1 1/16	01201
1/4-32 UNEF	3/16	3/4	19/32	1 1/16	01202
5/16-32 UNEF	1/4	1	11/16	1 3/16	01204
5/16-32 UNEF	3/16	1 3/32	25/32	1 5/16	01205
3/8-24 UNF	1/4	1 3/32	25/32	1 5/16	01206
1/8-27 NPT	1/4	1 3/32	25/32	1 5/16	01207
1/4-18 NPT	3/8	1 7/16	31/32	1 9/16	01211
5/16-32 UNEF	1/4	1 5/16	11/16	1 3/16	01216
1/4-32 UNEF	3/16	2 5/16	19/32	1 1/16	01236
6mm x 1	3/16	3/4	19/32	1 1/16	366-1

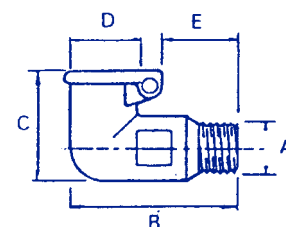


British Pipe Thread

THREADED ELBOW OIL CUPS

brass, nickel plated

a.	b. mm	c. mm	d. mm	e. mm	Item Number
1/8-BSP	25.4	20.6	9.5	11.9	6130-1
1/8-BSP	34.9	25.4	15.9	14.3	6131-1

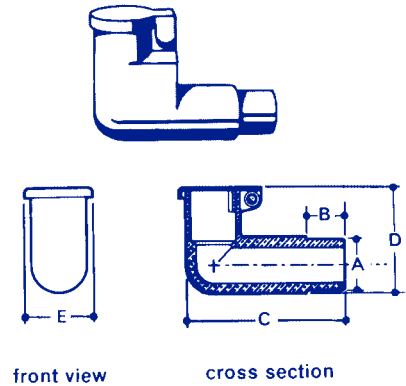


STYLE L ELBOW DRIVE-IN

All Style L oilers made for drive-in assembly are one-piece die-castings. Drive shanks are accurately turned to uniform diameters for each assembly in holes drilled to size.

zinc die cast, zinc plated

a.	Drive Diameter		b.	c.	d.	e.	Item Number
	min.	max.					
1/4	.253	.255	1/4	1	11/16	5/16	01219
1/4	.253	.255	1/4	1 5/16	11/16	5/16	01220
5/16	.315	.317	5/16	1 3/32	25/32	13/32	01224
5/16	.315	.317	3/8	1	11/16	5/16	01228
5/16	.315	.317	1/4	7/8	25/32	13/32	01230
1/4	.253	.255	5/32	3/4	11/16	5/16	01232
3/16	.190	.192	5/32	19/32	3/4	1/4	01233
3/8	.378	.380	9/32	1 3/32	25/32	13/32	01241



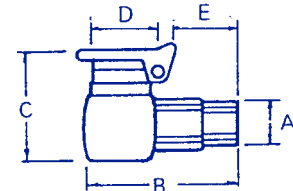
Metric

DRIVE IN ELBOW OIL CUP

Has rotating spring lid.

steel, nickel plated

a.	b. mm	c. mm	d. mm	e. mm	Item Number
6mm	20.0	14.5	7.0	8.5	6132-1
8mm	24.0	17.5	9.0	9.0	6133-1
10mm	28.0	20.0	11.0	12.0	6134-1
12mm	32.0	22.0	13.0	15.0	6135-1

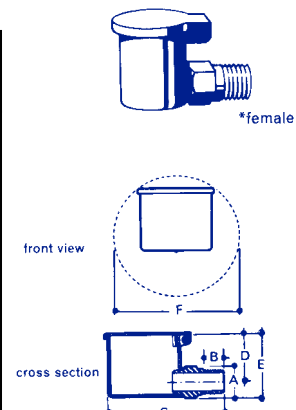


STYLE Y ELBOW

Style Y oil cups represent quality at low cost. Oiler bodies are drawn from cold rolled strip. Shanks are machined from hexagon bar stock. Shank is secured to oiler body to form a mechanically tight connection; then, joint is thoroughly brazed to further strengthen the connection and make it dependably leak-proof.

steel, zinc plated

Capacity in ounces	a.	b.	c.	d.	e.	f.	Item Number
1/8	1/8-27 NPT	5/16	1 11/32	5/8	15/16	1 19/32	00801
3/16	1/8-27 NPT	5/16	1 15/32	21/32	1	1 11/16	00802
1/2	1/8-27 NPT	5/16	1 11/16	1 3/32	1 7/16	2 5/8	00803
1/2	1/4-18 NPT	7/16	1 15/16	1	1 7/16	2 1/2	00804
1/2	1/4-18 NPT*	7/16	1 25/32	1	1 7/16	2 1/2	00805
7/8	1/4-18 NPT	7/16	2 7/32	1 1/8	1 19/32	2 13/16	00806
1 7/8	3/8-18 NPT	7/16	2 13/32	1 5/8	2 1/16	4	00807
3 3/4	1/2-14 NPT	9/16	3 1/2	1 3/8	2 1/16	4	00808
1/8	1/8-27 NPT*	9/32	1 7/32	5/8	15/16	1 19/32	00809



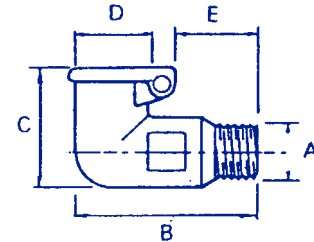
*Female

British Pipe Thread

THREADED ELBOW OIL CUP

steel, nickel plated

a.	b. mm	c. mm	d. mm	Hex A/Flats	Item Number
1/8-BSP	33.3	26.2	15.9	7/16	6136-1
1/8-BSP	36.5	30.2	19.1	7/16	6137-1
1/8-BSP	46.0	35.7	25.4	9/16	6138-1
1/8-BSP	46.0	35.7	25.4	9/16	6139-1
1/8-BSP	52.4	40.5	31.8	9/16	6140-1
1/4-BSP	52.4	40.5	31.8	9/16	6141-1
1/4-BSP	65.1	52.4	41.3	1 1/16	6142-1
3/8-BSP	65.1	52.4	41.3	1 1/16	6143-1
1/4-BSP	85.7	58.7	57.2	1 1/16	6144-1
3/8-BSP	85.7	58.7	57.2	1 1/16	6145-1

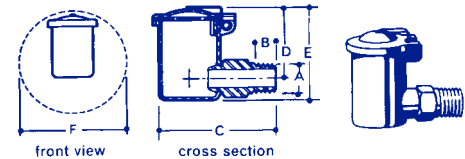


STYLE YB ELBOW, SPRING CAP

Features a special cover construction for horizontal application. Extra heavy spring assures perfect seating and dust-proof contact between gasketed cover with two small air vents and oiler body. Oiler bodies, drawn from cold rolled strip, are brazed to hexagon bar stock shanks to form a rigid, leakproof connection.

steel, zinc plated

Capacity in ounces	a.	b.	c.	d.	e.	f.	Item Number
3/8	1/8-27 NPT	1/2	1 3/4	1 3/32	1 5/8	2 5/8	01143



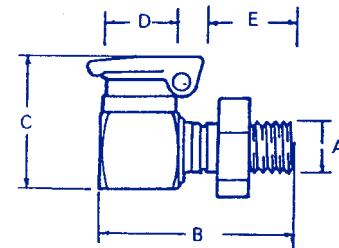
Metric

THREADED ELBOW OIL CUP

Has rotating spring lid.

brass, nickel plated

a.	b. mm	c. mm	d. mm	e. mm	Item Number
M6 X 1	24.0	15.0	7.5	13	6146-1
M8 X 1	28.0	18.0	9.5	14	6147-1
M10 X 1	30.0	20.0	12.5	14	6148-1
M12 X 1.5	34.0	22.0	15.0	15	6149-1

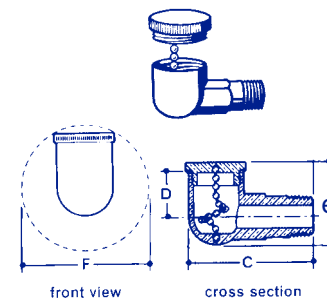


STYLE STG SCREW CAP

For use on motors, oil reservoirs and where care must be taken to prevent oil being forced out through the oil gauge. Screw cap is gasketed for snug fit and anchored to the body with a ball chain. Its low body height permits assembly in places of small clearance.

zinc die cast, zinc plated/aluminum cap

Capacity in ounces	a.	b.	c.	d.	e.	f.	Item Number
3/64	1/4-18 NPT	13/32	1 13/32	7/16	31/32	1 5/8	05301
1/8	3/8-18 NPT	3/8	2 1/8	1/2	1 3/16	2	05302
3/16	3/8-18 NPT	3/8	2 9/16	3/4	1 13/32	2 5/16	05303
1/2	1/2-14 NPT	1/2	2 25/32	1 1/16	1 7/8	2 7/8	05305

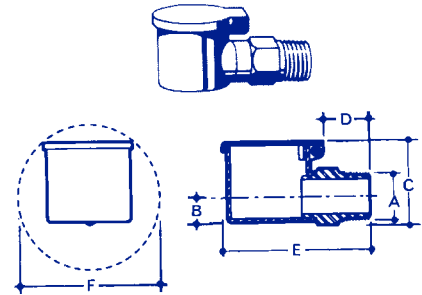


STYLE OG ELBOW OIL GAUGES

A low-body oil gauge for use where oil levels are slightly above center line of gauge entry. Serves as oil well fillers or overflow gauges. Use on electric motors and other equipment with oil reservoirs. Drawn body and machined stem are oil-tight and copper brazed for extra protection.

steel, nickel plated/zinc plated*

Capacity in ounces	a.	b.	c.	d.	e.	f.	Item Number
1/8	1/4-18 NPT	5/16	7/8	3/4	1 27/32	1 1/2	01702
11/32	3/8-18 NPT	3/8	1 3/32	15/16	2 9/32	1 29/32	01703
3/8	3/8-18 NPT	7/16	1 3/16	1 5/32	2 15/32	2 1/8	01704*
3/4	1/2-14 NPT	1/2	1 19/32	1	2 19/32	2 5/8	01705*
1/8	1/8-27 NPT	9/32	7/8	15/32	1 9/16	1 9/16	01708*

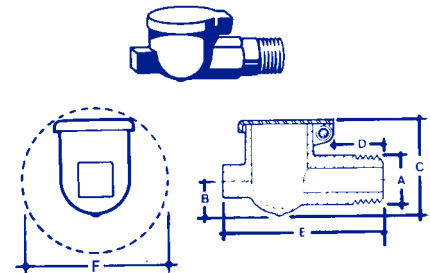


STYLE UG ELBOW OIL GAUGES

Style UG is an oil gauge with a low body used on motors and oil reservoirs. Body and shank are one-piece die cast. Originally designed as an oil gauge, this oiler is often used as side filling oil cup.

zinc die cast, zinc plated

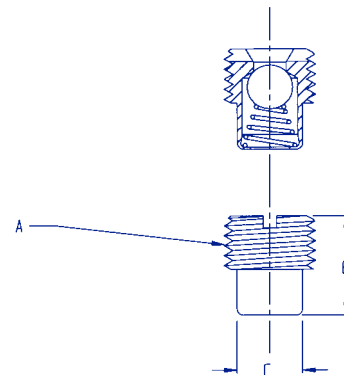
Capacity in ounces	a.	b.	c.	d.	e.	f.	Item Number
3/64	1/8-27 NPT	1/4	23/32	17/32	1 1/2	1 1/8	03201



CHECK VALVE ASSEMBLIES

steel, zinc plated

a.	b.	c.	Item Number
1/4-20	.410	.175	144-31
3/8-16	.395	.250	144-32
7/16-20	.500	.312	144-33
5/8-11	.560	.392	144-34
M6 x 1	.410	.175	144-35
M10x1.5	.395	.250	144-36



BOTTLE OILERS
BRUSH OILERS
CONSTANT LEVEL OILERS



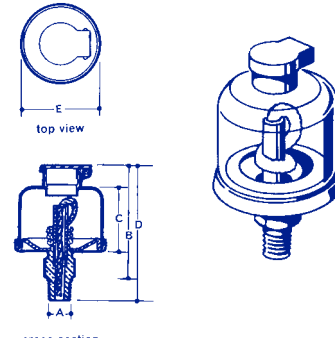
STYLE SFA POLYCARBONATE BODY

This line of Wick Feed oilers has a visible oil supply and convenient spring-hinged cover for easy filling. Available with transparent non-yellowing Polycarbonate reservoir.

Stems are machined from solid bar stock and have a hexagon wrench hold. Metal bases are rolled tightly onto the reservoirs, and the inserted filler cap is expanded to assure a secure joint. Polycarbonate oilers are highly recommended for use on new equipment.

brass, plain finish

Capacity in Ounces	a.	b.	c.	d.	e.	Item Number
3/4	1/8-27 NPT	2 3/8	1 13/32	2 11/16	1 5/8	03501
1 1/2	1/8-27 NPT	2 1/4	1 13/32	2 9/16	2 1/16	03502
1 1/2	1/4-18 NPT	2 1/4	1 13/32	2 9/16	2 1/16	03503
3	1/4-18 NPT	3 7/16	2 19/32	3 3/4	2 1/16	03531
3	3/8-18 NPT	3 7/16	2 19/32	3 3/4	2 1/16	03532

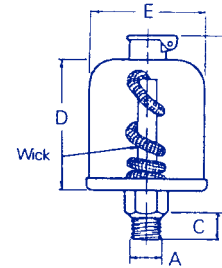


British Pipe Thread

WICK FEED SINGLE OUTLET

steel, zinc plated - plastic bottle

a.	b. mm	c. mm	d. mm	e. mm	Capacity ml	Item Number
1/8-BSP	55	8	37	32	17	6201-1
1/8-BSP	65	8	47	37	35	6202-1
1/4-BSP	81	13	59	50	84	6203-1



Maximum operating temperature 150°F

STYLE 1400 LIQUID DISPENSERS WITH ADJUSTABLE METERING VALVES

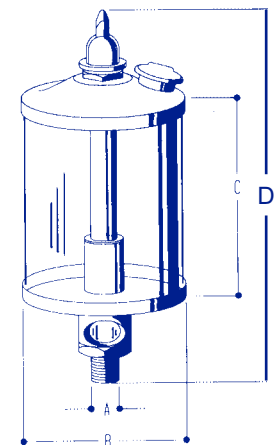
GITS offers 12 sizes of Liquid Dispensers in glass or acrylic. Capacity range 1 oz. to 32 oz. Modernized attractive design and finish improves appearance and corrosion-resistance.

Its over-sized filler port makes filling easy and fast. Internal safety filter screen gives added

protection. Sight gauge in stem permits monitoring of oil drops per minute. Must remain empty to function properly.

bright nickel plated

Capacity in Ounces	a.	b.	c.	d.	Item Number	
					Glass	Acrylic
1	1/8-27 NPT	1 5/8	1 3/8	4 3/4	14030	14032
2 1/2	1/8-27 NPT	2 1/8	1 7/8	5 1/2	14040	14043
5	1/8-27 NPT	2 5/8	2 3/8	6 1/8	14050	14054
1	1/4-18 NPT	1 5/8	1 3/8	4 3/4	14031	14033
2 1/2	1/4-18 NPT	2 1/8	1 7/8	5 1/2	14041	14044
5	1/4-18 NPT	2 5/8	2 3/8	6 1/8	14051	14055
10	1/4-18 NPT	3 1/8	3 1/4	6 7/8	14060	14063
5	3/8-18 NPT	2 5/8	2 3/8	6 1/8	14052	14056
10	3/8-18 NPT	3 1/8	3 1/4	6 7/8	14061	14064
16	3/8-18 NPT	3 5/8	4 1/4	8 1/2	14070*	14072*
16	1/2-14 NPT	3 5/8	4 1/4	8 1/2	14071*	14073*
32	1/2-14 NPT	4 7/16	5 1/4	9 1/2	14074*	14075*



GITS Liquid dispensers also provide a toggle "on-off" indicator to show if valve is open or closed. Vibration-proof metering adjustment insures stable settings.

GITS Liquid Dispensers look better...work better!

*Satin brass finish

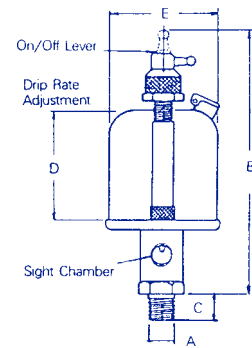
British Pipe Thread

MANUAL ON/OFF SINGLE OUTLET

steel, zinc plated - plastic bottle

a.	b. mm	c. mm	d. mm	e. mm	Capacity ml	Item Number
1/8-BSP	121	10	48	38	42	6210-1
1/4-BSP	121	11	48	38	42	6211-1
1/4-BSP	144	13	60	51	98	6212-1

Maximum operating temperature 150°F

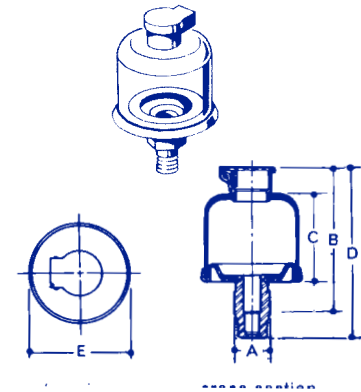


STYLE CT POLYCARBONATE BODY

Combines the convenience of a self-closing hinged cover with the additional feature of a constantly visible oil supply. Constructed of transparent non-yellowing polycarbonate, these oilers are in particular demand for food processing machinery and similar applications where the hazard of broken glass cannot be tolerated.

brass, low luster finish - polycarbonate bottle

Capacity in Ounces	a.	b.	c.	d.	e.	Item Number
1	1/8-27 NPT	2 1/4	1 3/8	2 11/16	1 19/32	01052
1 5/8	1/4-18 NPT	2 1/4	1 3/8	2 11/16	2 1/32	01054



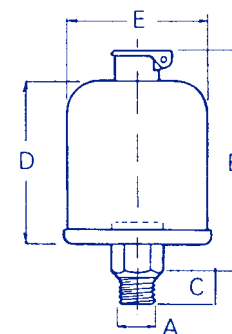
British Pipe Thread

OIL RESERVOIR WITH SURGE ARRESTOR

steel, zinc plated - plastic bottle

a.	b. mm	c. mm	d. mm	e. mm	Capacity ml	Item Number
1/4-BSP	62	12	45	38	35	6220-1
1/4-BSP	74	13	54	44	63	6221-1
1/4-BSP	86	13	63	57	127	6222-1
1/4-BSP	93	13	69	64	170	6223-1

Maximum operating temperature 150°F



BOTTLE OILERS & CONSTANT LEVEL OILERS

STYLE NFU SIGHT GRAVITY FEED OILERS

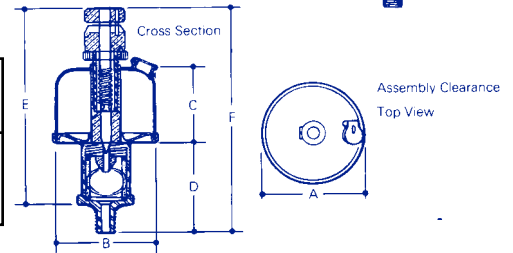
Here is a Gravity Feed oiler in which rate of oil flow may be regulated by a needle valve. Sight in stem permits direct observation of rate at which oil is being fed to bearing.

Needle valve is adjusted by turning knurled screw just above lock nut; screw operates against a spring ratchet to retain adjustment of flow rate. Shut-off knob at top of oiler does not affect needle valve adjustment, and permits positive cut-off of oil flow during idle periods. Once rate of oil flow has been established and adjusted, adjustment is positively locked by serrated nut — permitting accurate operation by simply lifting and turning on-and-off knob at top.



brass, plain finish - polycarbonate

Capacity in Ounces	Stock Pipe Thread	a.	b.	c.	d.	e.	f.	Item Number
12	3/8-18 NPT	3	2 25/32	4 19/32	1 7/8	7 7/32	8 3/32	03612
12	1/2-14 NPT	3	2 25/32	4 19/32	1 7/8	7 7/32	8 3/32	03613

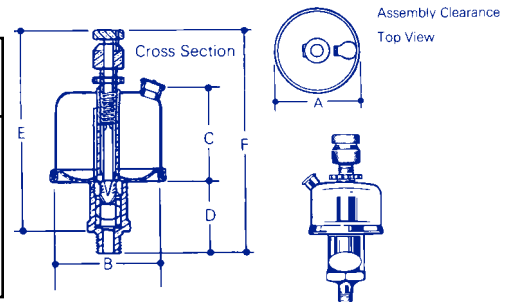


STYLE VNF SIGHT GRAVITY FEED OILERS

Style VNF is the same type of oiler as the NFU series, however, it is specially adapted for use where atmospheric conditions within the oiler must be equalized with those in the bearing, and where there are excessive quantities of dust or grit in the air.

brass, plain finish - polycarbonate

Capacity in Ounces	Stock Pipe Thread	a.	b.	c.	d.	e.	f.	Item Number
1 1/2	1/8-27 NPT	2	1 29/32	1 3/8	1 7/8	4 11/32	4 29/32	03665
1 1/2	1/4-18 NPT	2	1 29/32	1 3/8	1 7/8	4 11/32	4 29/32	03666
3	1/4-18 NPT	2	1 29/32	2 9/16	1 7/8	5 19/32	6 3/32	03669
3	3/8-18 NPT	2	1 29/32	2 9/16	1 7/8	5 19/32	6 3/32	03670



CONSTANT LEVEL OILERS

STYLES HL AND HLF

Each of these oilers has its durable, transparent reservoir rolled into a base which is hinged to a formed cap. Stem is mounted horizontally and is available in Style HL male pipe threaded and Style HLF female pipe threaded models.

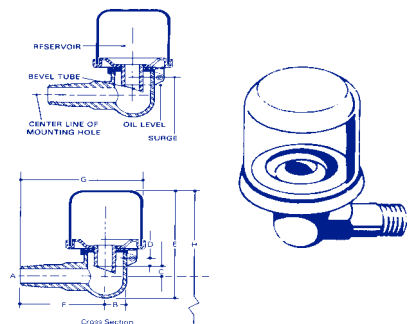
Designed for incorporation in new machinery at the plan stage, Styles HL and HLF permit use of shallow wells with entry at the side near the bottom. Thus, extra tapping and plugging for a cleanout is unnecessary.

STYLE HL

steel, zinc plated

Capacity in Ounces	a.	b.	c.	d.	e.	f.	g.	h.	Item Number
3/4	1/8-27 NPT	3/8	3/16	1/4	2 1/2	1 9/16	2 3/8	3 11/16	03251
3/4	1/4-18 NPT	3/8	3/16	1/4	2 1/2	2	2 13/16	3 11/16	03253
1 1/2	1/8-27 NPT	3/8	3/16	1/4	2 3/8	1 9/16	2 9/16	4 1/16	32513
1 1/2	1/4-18 NPT	3/8	3/16	1/4	2 3/8	2	3	4 1/16	32533
1 1/2	3/8-18 NPT	5/8	9/32	1/4	2 23/32	2 1/8	3 1/8	4 1/2	32553
3	1/8-27 NPT	3/8	3/16	1/4	3 9/16	1 9/16	2 9/16	4 1/16	32514
3	1/4-18 NPT	3/8	3/16	1/4	3 9/16	2	3	4 1/16	32534
3	3/8-18 NPT	5/8	9/32	1/4	3 29/32	2 1/8	3 1/8	4 1/2	32554
6	3/8-18 NPT	5/8	9/32	1/4	3 5/8	2 1/8	3 1/2	5 1/4	32558

Style HLF female Constant Level oilers can be used with a pipe extension to reach bearings located in extremely low quarters. Rigidly installed in this manner, lubrication servicing is simplified and facilitated.

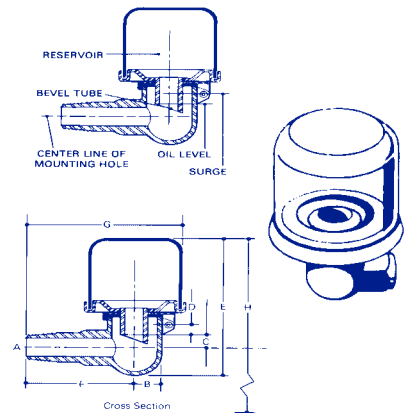


STYLE HLF

Like Style HL but with female threads

steel, zinc plated

Capacity in Ounces	a.	b.	c.	d.	e.	f.	g.	h.	Item Number
3/4	1/8-27 NPT	5/8	9/32	1/4	2 13/16	1 1/8	1 15/16	4 1/16	03350
1 1/2	1/8-27 NPT	5/8	9/32	1/4	2 13/16	1 1/8	2 1/8	4 1/2	03351
1 1/2	1/4-18 NPT	5/8	9/32	1/4	2 13/16	1 1/8	2 1/8	4 1/2	03354
3	1/8-27 NPT	5/8	9/32	1/4	4	1 1/8	2 1/8	4 1/2	03352
3	1/4-18 NPT	5/8	9/32	1/4	4	1 1/8	2 1/8	4 1/2	03355
6	1/4-18 NPT	5/8	9/32	1/4	3 13/16	1 1/8	2 29/32	5 1/4	03386



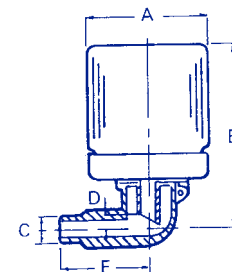
British Pipe Thread

STEEL BODY, GLASS BOTTLE

zinc plated

a. mm	b. mm	c.	d. mm	e. mm	Capacity ml	Item Number
61	92	1/4 BSP	7	51	120	6240-1
61	92	1/4 NPT	7	51	120	6241-1

Maximum operating temperature 210°F

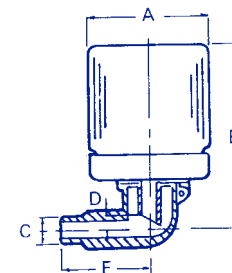


ALUMINUM ALLOY BODY - GLASS BOTTLE

zinc plated

a. mm	b. mm	c.	d. mm	e. mm	Capacity ml	Item Number
61	92	1/4 BSP	7	51	120	6250-1
61	92	1/4 NPT	7	51	120	6251-1

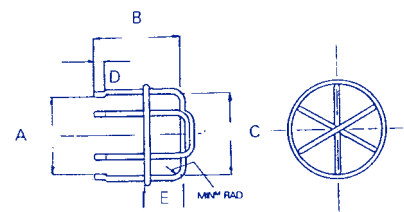
Maximum operating temperature 210°F



WIRE GUARD for 120 ml capacity oiler

steel, zinc plated

a. mm	b. mm	c. mm	d. mm	e. mm	Item Number
60.3	61.9	62.7	6.35	25.4	6262-1

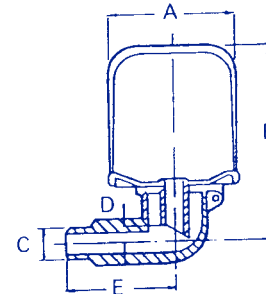


STEEL BODY, PLASTIC BOTTLE

zinc plated

a.	b.	c.	d.	e.	Capacity ml	Item Number
51	82	1/8 BSP	7	51	85	6230-1
51	82	1/4 BSP	7	51	85	6231-1
57	87	1/4 BSP	7	51	115	6232-1
64	94	1/4 BSP	7	51	158	6233-1

Maximum operating temperature 150°F



STYLE BL AND BLF

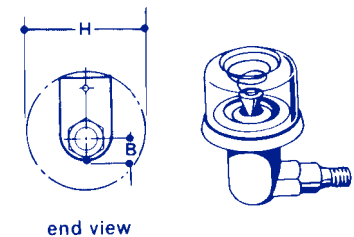
Has polycarbonate reservoir, spring clip. BL (male) and BLF (female) oilers have a removable reservoir in a zinc die cast elbow type cup. Use of pre-filled reservoirs systematizes oiling operations in larger plant installations. Because BL and BLF reservoirs have valves, they may be removed even with oil in the reservoir which is retained with a spring-friction clip.

Capacity in Ounces	a.	b.	c.	d.	e.	f.	g.	h.	Item Number
3/4	1/4-18 NPT	11/32	5/32	17/32	2 11/16	1 9/16	2 3/8	2 1/4	03273
1 1/2	3/8-18 NPT	11/32	1/4	5/8	2 5/8	2 1/8	3 1/8	2 3/8	32753
3	1/4-18 NPT	11/32	5/32	17/32	3 3/4	1 9/16	2 9/16	2 1/4	32734
3	3/8-18 NPT	13/32	1/4	5/8	3 29/32	2 1/8	3 1/8	2	32754
6	3/8-18 NPT	13/32	1/4	5/8	3 23/32	2 1/8	3 9/16	2 7/8	32758

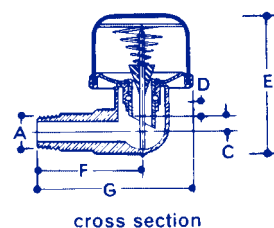
Style BLF

3	1/4-18 NPT*	13/32	1/4	5/8	3 29/32	1 1/16	2 1/16	2 3/8	03375
---	-------------	-------	-----	-----	---------	--------	--------	-------	-------

* Female



end view



cross section

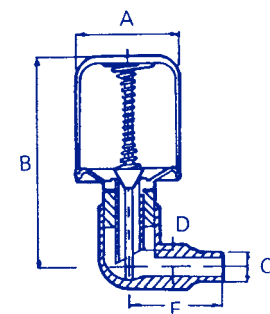
British Pipe Thread

BAYONET TYPE - PLASTIC BOTTLE

zinc plated

a. mm	b. mm	c.	d. mm	e. mm	Capacity ml	Item Number
51	93	1/4 BSP	7	51	85	6260-1
64	104	1/4 BSP	7	51	158	6261-1

Maximum operating temperature 150°F



BRUSH OILERS

- SAVE MAINTENANCE COSTS
- PROTECT MACHINES FROM FAILURE
- INCREASE CHAIN LIFE
- CONSERVE OIL AND POWER
- SOLVE PRODUCTION OILING PROBLEMS

REPLACEMENT SOLENOID VALVE COILS

WATERPROOF	
POWER	MODEL
120V, 60HZ	09581

SOLENOIDS — WATERPROOF A/C CURRENT AVAILABLE ON SPECIAL ORDER EQUIPPED WITH 480V/60HZ, 575V/60HZ, 110V/50HZ, 220V/50HZ, 380V/50HZ, 120V DC, 240V DC, 480V DC, 575V DC, 12V DC, 24V DC.

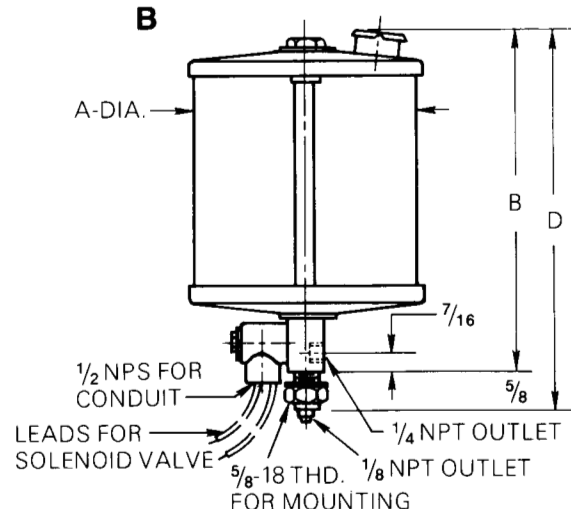
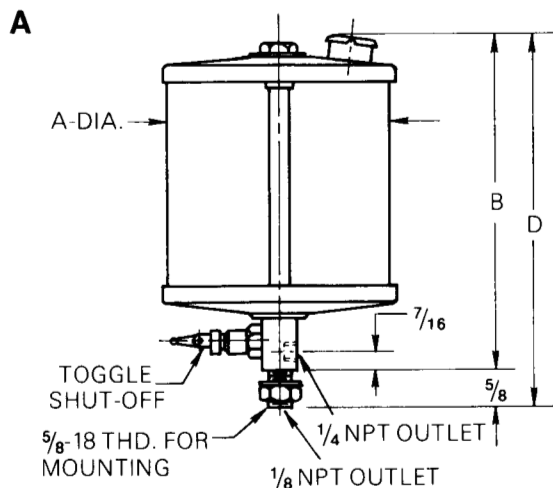
VISUAL DISPENSER MANUAL W/SIDE SHUT-OFF

ITEM NUMBER		CROSS SECTION	CAPACITY	A (DIA)	B	D	SOLENOID
ACRYLIC	GLASS						
09502	09503	A	1 PT.	3½	7 ³ / ₁₆	7 ¹³ / ₁₆	
09504	09505	A	1 QT.	4¼	8½	9 ¹ / ₈	
09506	09507	A	½ GAL.	5½	10 ⁵ / ₈	11¼	
09508	NOT AVAILABLE	A	½ GAL.	5½	15 ⁵ / ₈	16¼	

VISUAL DISPENSER AUTOMATIC W/SOLENOID VALVE SHUT-OFF

09512	09513	B	1 PT.	3½	7 ³ / ₁₆	7 ¹³ / ₁₆	120V/60HZ
09514	09515	B	1 QT.	4¼	8½	9 ¹ / ₈	120V/60HZ
09516	09517	B	½ GAL.	5½	10 ⁵ / ₈	11¼	120V/60HZ
09518	NOT AVAILABLE	B	½ GAL.	5½	15 ⁵ / ₈	16¼	120V/60HZ

SPECIFICATIONS/MANUAL			SPECIFICATIONS/AUTOMATIC		
PRESSURE ATMOSPHERIC	MAXIMUM TEMPERATURE	MATERIALS	PRESSURE ATMOSPHERIC	MAXIMUM TEMPERATURE	MATERIALS
Gravity Feed Only Vented Reservoir	Acrylic 160°F Glass 225°F	Shank Alum. Alloy Covers Alum. Alloy	Gravity Feed Only Vented Reservoir	Acrylic 160°F Glass 225°F	Covers and Shanks Alum. Alloy



SELECTION:

CHOOSE SIZE AND TYPE OF BRUSH. For best lubrication of chain, locate brush on lower inside surface of chain so oil will penetrate links by centrifugal force. Brush should just cover width of chain. Gits Flat Brush mounted diagonally fits chain from 3/8" to 2 1/4" wide. Use standard bristles for most applications. For high speed chain use crimped Nylon up to 250 degrees F., stainless steel bristles over 250 degrees F. Nylon Roto Brushes are designed for litho ovens and other heavy duty uses.

BRUSH ADAPTOR. Item No. 09540. Mount brush so that bristles lightly "finger" the chain. Periodically rotate brush and reset height to compensate for brush wear. When 1/2 inch of adjustment is reached brush should be replaced with new Gits brush.

SIGHT FEED VALVE. Item No. 09530. The proper oil feed is just enough oil to keep the bristles damp. This is easily controlled by the sight feed valve. The drops can be observed and adjusted over a wide range, or can be completely shut off. The proper setting is retained with a friction screw. **IMPORTANT:** Locate feed valve where it can be conveniently and safely observed and adjusted. Valves also available in multiple units

of 3 or more.

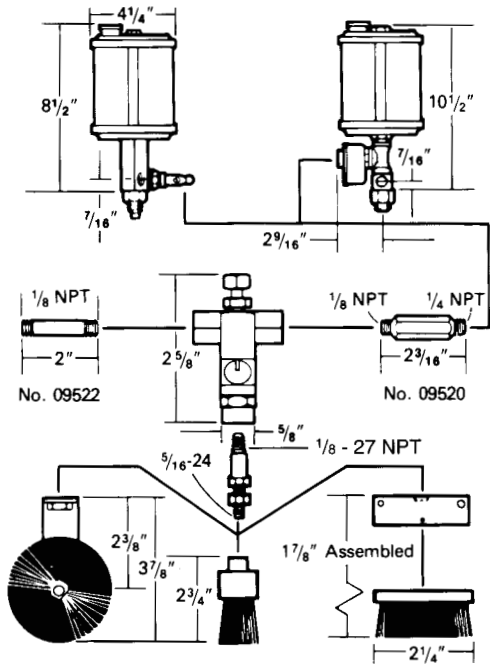
COUPLING. Item No. 09520. This coupling is used to connect the sight feed valve to the dispenser. For remote location of dispenser use 1/4" copper tubing and 1/8 NPT fittings between coupling and sight feed valve. Use No 09522 to connect two or more sight feed valves together.

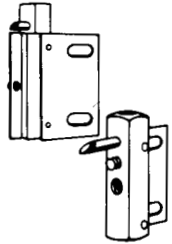
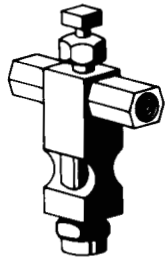
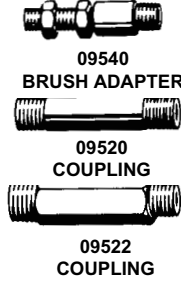
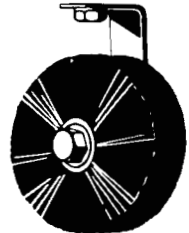
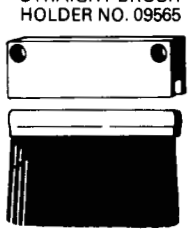
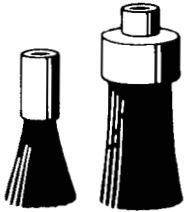
VISUAL DISPENSER. Transparent Acrylic reservoir permits a quick visual check of oil supply. Large, self-closing cap is easy to fill and keeps out the dirt. Flow is controlled by a valve which immediately starts or stops the gravity feeding of the sight feed valve. To mount the dispenser simply provide a bracket to hold the 5/8" x 18 threaded mounting shank.

SOLENOID VALVE MODEL. Recommended for intermittent use or for remote location of dispenser. Flow is automatically controlled to stop and start with the machine driving motor. The normally closed electric solenoid valve is usually wired across the motor, or to a switch or timer. Supplied with No. 09581 standard 115 volt coil, see chart for special coils.

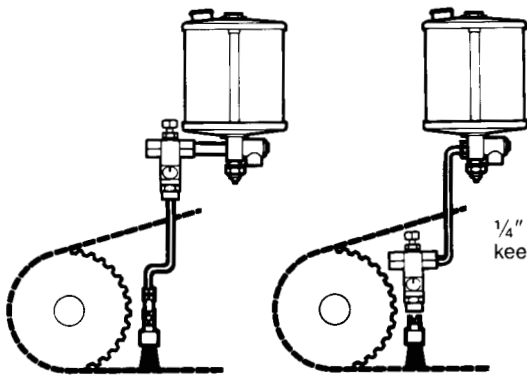
MANUAL VALVE MODEL. Easy to turn on and off by hand with the toggle mounted on the dispenser.

BRUSH OILERS

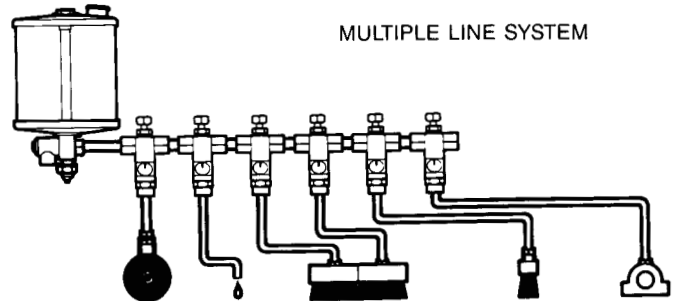


 <p>90° BRUSH HOLDER FLAT ROUND NO. 09566 NO. 09567</p>	 <p>SIGHT FEED VALVE NO. 09530</p>	 <p>09540 BRUSH ADAPTER 09520 COUPLING 09522 COUPLING</p>
 <p>ROTO BRUSH NYLON NO. 09570 STAINLESS NO. 09571</p>	 <p>STRAIGHT BRUSH HOLDER NO. 09565 FLAT BRUSH NYLON NO. 09561 STAINLESS NO. 09562</p>	 <p>ROUND BRUSH 5/8" 1" NYLON NO. 09573 09551 STAINLESS NO. 09574 09552</p>

CHAIN OILER REMOTE INSTALLATION of dispenser to meet space or safety requirements.



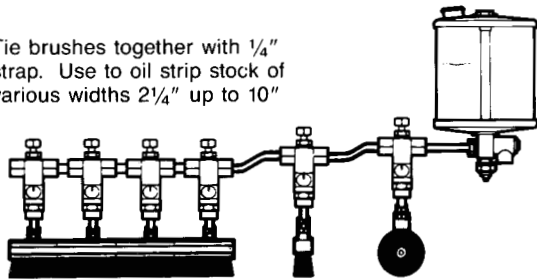
1/4" copper tubing keep as short as possible



MULTIPLE LINE SYSTEM

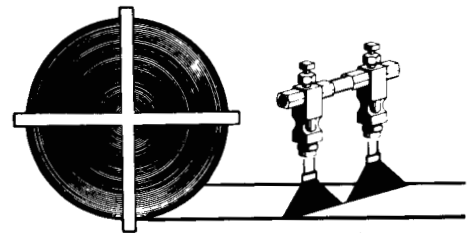
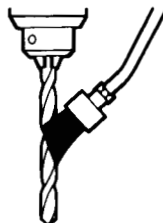
SPECIAL TIME-SAVING USES

Tie brushes together with 1/4" strap. Use to oil strip stock of various widths 2 1/4" up to 10"

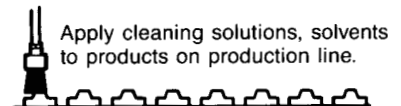


SINGLE LINE SYSTEM: a series of valves and brushes can be fed from one dispenser using copper tubing as the feed line.

Clean, cool and lubricate drill bits.



Apply lubricant or drawing compound to coil strip stock.



Apply cleaning solutions, solvents to products on production line.

LIQUID LEVEL VIEW GAUGES



PORTHOLE LIQUID LEVEL GAUGES

The many styles and sizes of Gits View Gauges are made possible by mass-production, stocking and assembly of interchangeable components. Engineered for easy installation, these gauges give instant check on oil levels, protecting machines against wear, failure, and costly “down time.”

PRESS-FIT UNITS economical, factory-assembled windows and gauges.

THREADED (NPT) UNITS for windows, oil gauges, and drain plugs.

FLANGE MOUNTED UNITS designed especially for installation walls.

COLUMN GAUGES for showing wide variations in level.

SIGHT FLOW GAUGES for observing or regulating flow in a system.

FILLER TYPE GAUGES in self-closing, leak proof, and vapor tight styles.

PORTHOLE VIEW GAUGES

Designed for multiple use, these gauges are made for insertion in to N.P.T. fittings and are easily installed and removed with a wrench. Also available with straight machine threads and “o”ring gasket in OEM quantities.

Recommended maximum pressures listed for styles BW-10 and BW-20 allow safe margins for variations in application and installation. **Maximum recommended temperature is 250°F. Not for air service.**

BW-10 CLEAR WINDOW WITH OPEN BACK

Turned from solid hexagon rod, this rugged unit comes factory assembled with clear glass window firmly held between two gaskets by rolled edge of body. **Not for air service.**

BW-20 CLEAR WINDOW REFLECTOR

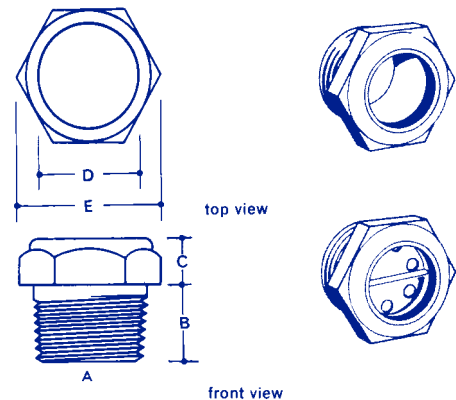
Same as BW-10 with the addition of a reflector to show oil level more clearly. **Not for air service.**

steel, zinc plated

PSI	a.	b.	c.	d.	e.	BW-10	BW-20
						Item Number	Item Number
75	3/8-18	1/2	11/32	15/32	1	04040	
75	1/2-14	17/32	7/16	37/64	1 1/4	04041	04052
50	3/4-14	17/32	7/16	3/4	1 1/2	04042	04053
25	1-11 1/2	11/16	1/2	1	1 13/16	04043	04054
10	1 1/4-11 1/2	11/16	1/2	1 9/32	2 1/4	04044	04055
10	1 1/2-11 1/2	11/16	1/2	1 9/16	2 1/2	04045	04056
2.5	2-11 1/2	11/16	1/2	2	3 1/8	04046	04057

Maximum temperature 250°F

Not for air service



BW-40 OBSERVA-DOME

The level is easy to read from any angle—side or front. Outer dome is clear, unbreakable plastic. White plastic inner dome makes oil level stand out in dim light. Maximum recommended operating conditions: 10 PSI up to 100°F; 2 PSI up to 160°F. **Not for air service**

steel, zinc plated

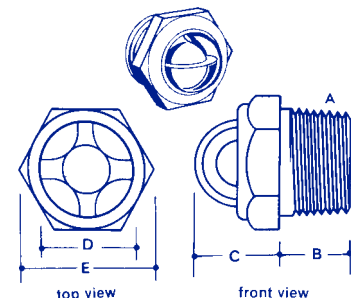
a.	b.	c.	d.	e.	Item Number
3/4-14	17/32	13/16	15/16	1 1/2	04119
1-11 1/2	11/16	13/16	15/16	1 13/16	04120
1 1/4-11 1/2	11/16	1	1 1/4	2 1/4	04121
1 1/2-11 1/2	11/16	1 3/16	1 11/16	2 1/2	04122

Maximum recommended conditions:

10 psi to 100°F

2 psi to 160°F

Not for air service



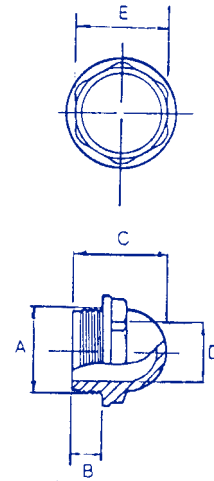
PORTHOLE LIQUID LEVEL GAUGES

PLASTIC DOME THREADED, POLYCARBONATE BRITISH STANDARD PIPE / METRIC

a.	b. mm	c. mm	d. mm	e. mm	Item Number
1/2 BSP	10	30	14	24	6301-1
3/4 BSP	12	34	20	30	6302-1
1 BSP	12	36	23	36	6303-1
M20x1.5	10	30	14	24	6305-1
M27x105	13	34	16	30	6306-1
M33x1.5	12	36	22	36	6307-1

Maximum working pressure 45 PSI
Maximum working temperature 160°F

Not for air service
Check Availability

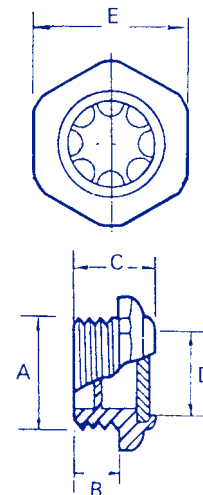


ALUMINUM THREADED WITH REFLECTOR BRITISH STANDARD PIPE / METRIC

a.	b. mm	c. mm	d. mm	e. mm	Item Number
1/4 BSP	8	13.5	8	17	6326-1
3/8 BSP	8	13.8	11	22	6327-1
1/2 BSP	9	15	15	27	6328-1
3/4 BSP	10	17	20	32	6329-1
1 BSP	14	22.5	25	41	6330-1
1 1/4 BSP	14	22.5	33	50	6331-1
1 1/2 BSP	14	22.5	38	55	6332-1
2 BSP	14	22.5	46	70	6333-1
M12 x 1.5	7.5	15	8	19	6334-1
M16 x 1.5	8	16	11	24	6335-1
M20 x 1.5	9	17	15	30	6336-1
M24 x 2	9	17	15	30	6337-1
M26 x 1.5	10	18.5	20	35	6338-1
M27 x 1.5	10	18.5	20	35	6339-1
M33 x 1.5	14	24	25	45	6340-1
M42 x 2	14	24	33	55	6341-1

Maximum working pressure 45 PSI
Maximum working temperature 160°F

Not for air service



PORTHOLE LIQUID LEVEL GAUGES

BW-50 THREADED, HEAVY DUTY

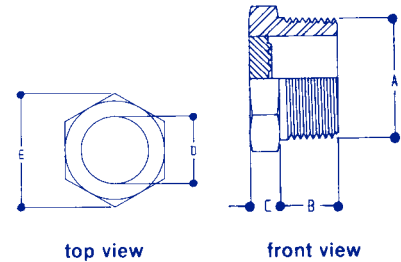
The glass window is fused directly to the body to make a leak tight unit without the use of elastomer "O" rings or gaskets. Bodies are plated and have hexagon heads with pipe thread stems.

Table shows the hydrostatic pressures that the units are designed to withstand for one minute at 68°F. The user is to select a margin of safety appropriate to the use. Maximum operating temperature is 500° F.



Steel, electro-less nickel plated

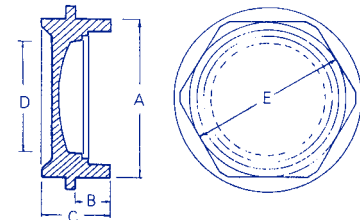
PSI	a.	b.	c.	d.	e.	Item Number
4000	3/8-18	1/2	7/32	7/16	7/8	04400
3500	1/2-14	9/16	7/32	9/16	1 1/8	04401
3000	3/4-14	5/8	5/16	3/4	1 5/16	04402
2500	1 -11 1/2	3/4	5/16	15/16	1 5/8	04403
2000	1 1/4-11 1/2	13/16	13/32	1 3/16	2 1/8	04404
1500	1 1/2-11 1/2	13/16	13/32	1 7/16	2 5/16	04405
1000	2-11 1/2	7/8	13/32	1 7/8	2 15/16	04406



Not for air service

PLASTIC THREADED WITH REFLECTOR BRITISH STANDARD PIPE / METRIC

a.	b. mm	c. mm	d. mm	e. mm	Item Number
1/4 BSP	8.2	13.2	6	17	6361-1
3/8 BSP	9.2	15.7	9	22	6362-1
1/2 BSP	10	18	12	24	6363-1
3/4 BSP	12.2	21.2	16	30	6364-1
1 BSP	11.6	20.6	22	36	6365-1
1 1/4 BSP	12.8	22.3	28	46	6366-1
1 1/2 BSP	13.8	25	33	50	6367-1
2 BSP	13.8	26	43	60	6368-1
M12 x 1.5	8.2	13.2	6	17	6369-1
M16 x 1.5	9.2	15.7	9	22	6370-1
M20 x 1.5	10.0	18.0	12	24	6371-1
M24 x 2	12.2	21.2	16	30	6372-1
M26 x 1.5	12.2	21.2	16	30	6373-1
M27 x 1.5	12.2	21.2	16	30	6374-1
M33 x 1.5	11.6	20.6	22	36	6375-1
M35 x 1.5	11.6	22.5	25	41	6376-1
M42 x 1.5	12.8	22.3	28	46	6377-1
M48 x 1.5	13.8	25.0	33	50	6378-1
M60 x 2	13.8	26.0	43	60	6379-1



Maximum working pressure 45 PSI
Maximum working temperature 160°F

Not for air service

PORTHOLE LIQUID LEVEL GAUGES

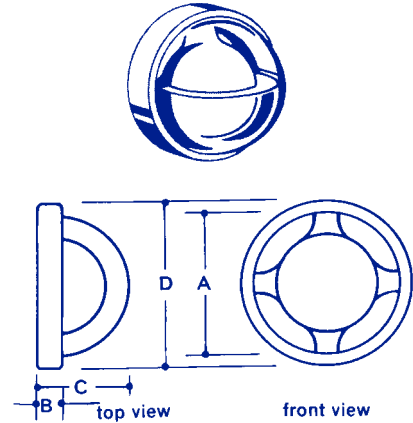
DW-40 PRESS-FIT, OBSERVA-DOME

An economical gauge to protect machines, located in out-of-the-way places, from failure due to lack of oil. The oil level is easy to spot from any angle—from the side or below as well as from the front. Outer dome is clear, resilient plastic. White plastic inner dome makes the oil level visible even in dim light. Use in applications where flat windows are difficult to observe. **Not for air service.**

bright brass

Bore +.002 -.000	a.	b.	c.	d.	Item Number
1.250	15/16	5/16	3/4	1.250	04100
1.500	1 1/4	5/16	31/32	1.500	04101
2.000	1 11/16	5/16	1 5/32	2.000	04102

Not for air service



DW-30 PRESS-FIT, HIGH VISIBILITY COLUMN

For easy reading of precise liquid levels use this unique gauge to show level and condition of oil or a pale liquid...even from a distance or in dim light. Window is a one-piece insert of clear, unbreakable plastic in which the oil appears suspended in a column against a brilliant white background. Level lines or special wording available. **Not for air service**

bright, brass

Bore +.002 -.000	a.	b.	c.	d.	Item Number
1.250	1	5/16	1/2	1.250	04110
1.500	1 1/4	11/32	1/2	1.500	04111
2.000	1 3/4	11/32	1/2	2.000	04112

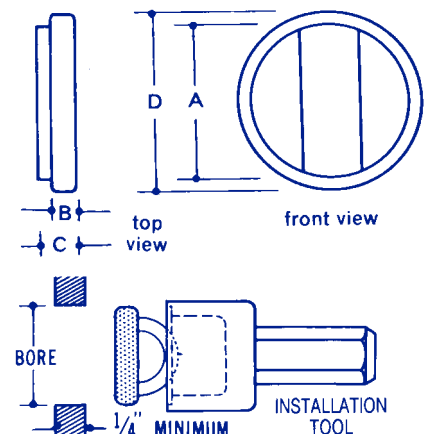
Not for air service



INSTALLATION TOOL

1. Bore or ream a hole to the dimension shown on the chart.
2. Apply a thin coat of sealant to the surface of the hole.
3. Press gauge in place using special Gits Mfg. installation tool as shown.

04110, 04100	4200-91
04111, 04101	4200-92
04112, 04102	4200-93



PORTHOLE/COLUMN VIEW LIQUID LEVEL GAUGES

FLANGE MOUNTED

CW-10 CLEAR WINDOW WITH OPEN BACK

This window permits observation of internal parts or allows a quick check on the level or condition of oil. Maximum recommended conditions: 10 PSI-250°F. **Not for air service.**

CW-20 CLEAR WINDOW WITH REFLECTOR

This gauge is the same as CW-10 with the addition of a white reflector to show the oil level more clearly. Maximum recommended conditions: 10 PSI-250°F. **Not for air service.**

CW-10 CLEAR WINDOW WITH OPEN BACK

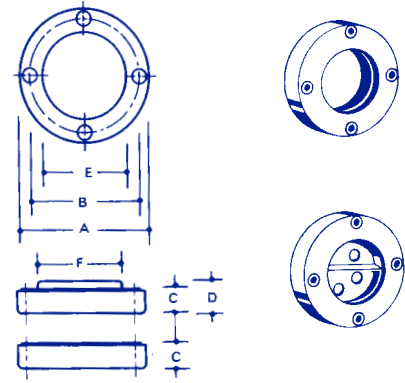
CW-20 CLEAR WINDOW WITH REFLECTOR

zinc die cast, zinc plated *steel, zinc plated

Requires 4 Socket Head Screws No.	a.	b.	c.	d.	e.	f.	CW-10 Item Number	CW-20 Item Number
6	1 5/8	1 5/16	19/64	35/64	3/4	3/4	04150	04030
6	1 7/8	1 9/16	3/8	11/16	1	1	04151	04031
8	2 1/4	1 7/8	25/64	11/16	1 1/4	1 1/4	04152*	04032*
8	2 9/16	2 5/32	3/8	45/64	1 1/2	1 1/2	04153	04033
10	3 1/8	2 11/16	7/16	3/4	2	2	04154*	04035*

Maximum working pressure 10 PSI
Maximum working temperature 250°F

Not for air service



CW-40 OBSERVA-DOME GAUGE

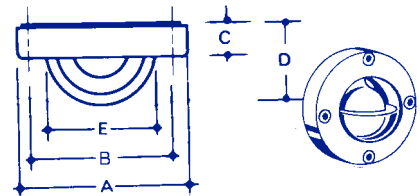
With this gauge, the oil level is easy to read from any angle—from the sides as well as from the front. The outer dome is clear, resilient plastic. The white plastic inner dome makes the oil level stand out in dim light. Maximum recommended conditions: 10 PSI up to 100°F; 2 PSI up to 160°F. **Not for air service.**

zinc die cast, zinc plated

Requires 4 Socket Head Screws No.	a.	b.	c.	d.	e.	Item Number
6	1 7/8	1 9/16	3/8	11/16	15/16	04140
8	2 1/4	1 7/8	3/8	7/8	1 1/4	04141

Maximum recommended conditions:
10 PSI 100°F
2 PSI 160°F

Not for air service



STYLE FG FILLER-TYPE COLUMN GAUGES

Two types are available: one piece elbow with a male pipe thread P/N 4200 and a female pipe thread P/N 4204.

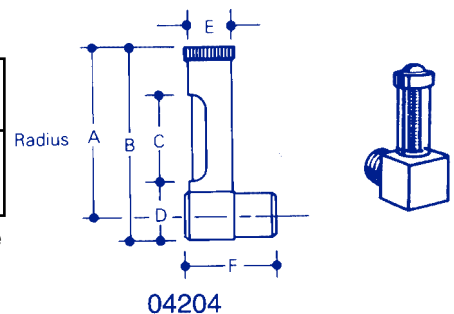
04200

bright brass finish

Stock Threads NPT	a. Assembly Clearance	b. Overall height	c. Gauge Range	d. Minimum Level	e. Body Diameter	f. Overall Length	Item Number
1/8-27	1 5/16	1 1/2	3/4	1/4	7/16	7/8	04200
1/8-27*	2 5/16	2 9/16	1 3/32	15/32	5/8	1 3/16	04204*

*Female

Not for air service



04204

HORIZONTAL FILLER LIQUID LEVEL GAUGES

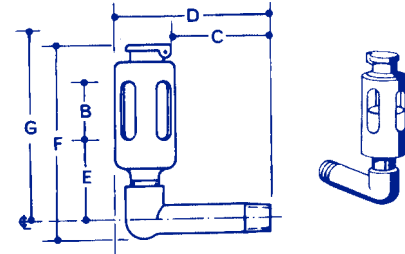
STYLE SGE GLASS BODY

This elbow-type oil level gauge and reservoir filler, with spring-hinged cover, has a glass body protected by a perforated heavy metal shell. Its protecting shell and stem are two-piece construction. The steel elbow is drilled to allow generous oil passage. **Not for air service.**

steel, zinc plated

a.	b.	c.	d.	e.	f.	g.	Item Number
1/8-27	3/4	1 7/32	2 1/16	1 1/16	2 11/16	2 9/16	04051

Not for air service



STYLE SGB CYLINDER WINDOW

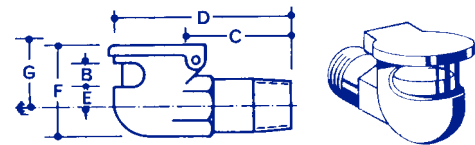
These one piece oil gauges are high-quality die castings. Glass cylinder is gasketed both top and bottom, to insure long, leak-proof life. Wide spring-hinged cover makes Style SGB suitable for use as an oil reservoir filler as well as a gauge and facilitates cleaning inside of glass. **Not for air service.**

* female

zinc die cast body, zinc plated

a.	b.	c.	d.	e.	f.	g.	Item Number
1/4-18	7/16	1 1/2	2 3/4	7/16	1 3/4	1 3/8	04251
3/8-18	5/16	1 1/8	2 3/8	1/2	1 9/16	1 5/16	04252
1/2-14	7/16	1 3/8	2 5/8	7/16	1 5/8	1 3/8	04253
1/2-14	1	1 1/2	2 3/4	1/2	2 23/32	2 3/8	04254
1-11 1/2	1 1/2	1 3/16	3 13/16	3/4	3 11/16	6 1/2	04258*

Not for air service



*Bronze body

STYLE SGL VAPOR-TIGHT, PORTHOLE

A special-purpose oil gauge designed for horizontal application where a fully vapor-tight oiler is necessary to keep oil from leaking out. Body and shank are machined from solid bar stock. **Not for air service.**

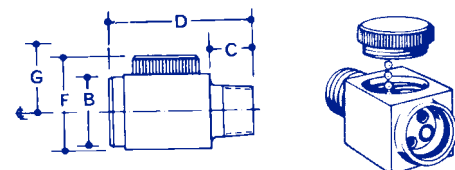
Both models 4255 and 4259 have a threaded screw cap which is gasketed to prevent absorption of acid fumes or other vapors by the oil. The cap is attached by a ball chain to the inside of the gauge body to prevent dropping and loss. Sight glass is securely gasketed, and backed by a white enameled reflector to make oil level more readily visible. **Not for air service.**

aluminum, clear anodized

a.	b.	c.	d.	f.	g.	Item Number
3/8-18	23/32	9/16	1 15/16	1 1/4	15/16	04255
1/2-14*	23/32	9/16	1 15/16	1 1/4	15/16	04259*

* Female

Not for air service



SIGHT FLOW, SIGHT FEED LIQUID LEVEL GAUGES

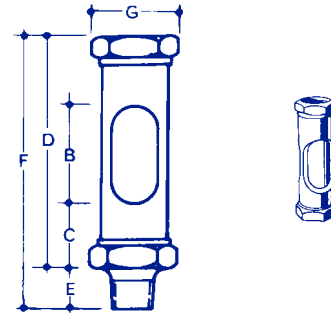
STYLE OL SIGHT FLOW, OIL LINE

Style OL sight gauges, machined from hexagon bar stock, permit operators to check oil from either front or rear window. Sight glass has heavy oil-proof gaskets both top and bottom.

Nos. 4283-84-85 have female threads at top and male threads at bottom. Nos. 4280-81-82-86-87-88-89 have female threads both top and bottom. Maximum working pressure 120 psi, temperature range -40°F to 250°F. **Not for air service.**

aluminum (gold anodized)

a. Stock Thread		b.	c.	d.	e.	f.	g.	Item Number
Top NPT	Bottom NPT							
1/8-27*	1/8-27*	1 1/16	23/32	2 13/32			1	04280
1/4-18*	1/4-18*	1 1/16	23/32	2 13/32			1	04281
3/8-18*	3/8-18*	1	9/16	2 3/8			1 9/32	04282
1/8-27*	1/8-27	1 1/16	21/32	2 11/32	1/2	2 13/16	1	04283
1/4-18*	1/4-18	1 1/16	21/32	2 11/32	1/2	2 13/16	1	04284
3/8-18*	3/8-18	1	11/16	2 7/16	1/2	2 29/32	1 9/32	04285
1/2-14*	1/2-14*	1 1/8	29/32	2 15/16			1 5/8	04286
3/4-14*	3/4-14*	1 1/8	1 1/16	3 1/16			1 13/16	04287
1-11 1/2*	1-11 1/2*	1 3/4	7/8	3 1/2			2 3/4	04288#
1 1/4-11 1/2*	1 1/4-11 1/2*	1 3/4	7/8	3 1/2			2 3/4	04289#



*Female Maximum working pressure 120 PSI **Not for air service**
 #Brass Maximum working temperature -40°F to 250°F

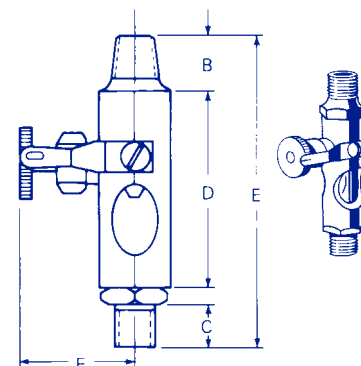
STYLES AF & PF SIGHT FEED, NEEDLE VALVE

Use where rate of oil flow from reservoir to bearing must be regulated. Bodies are machined from solid bar stock. Knurled screw at right of fitting body operates needle valve, permitting accurate adjustment of oil feed from full flow to complete shut-off. Fittings may be ordered with 1/8", 1/4" or 3/8" male or female pipe stems or with 1/4" or 5/16" O.D.S.A.E. flare or compression tubing bottom connections. **Not for air service.**

PF VALVES have glass windows at right angles to shut-off; AF VALVES, parallel to shut-off. Otherwise they are identical.

PF brass

a. Stock Thread		b.	c.	d.	e.	f.	Item Number
Top NPT	Bottom NPT						
1/8-27	1/8-27	9/16	7/16	2 1/4	3 1/4	2 5/8	04240
1/4-18	1/4-18	9/16	7/16	2 1/4	3 1/4	2 5/8	04241
3/8-18	3/8-18	9/16	7/16	2 1/4	3 1/4	2 5/8	04242
1/8-27*	1/8-27		7/16	2 1/4	2 11/16	2 5/8	04243
3/8-18*	3/8-18		7/16	2 1/4	2 11/16	2 5/8	04245



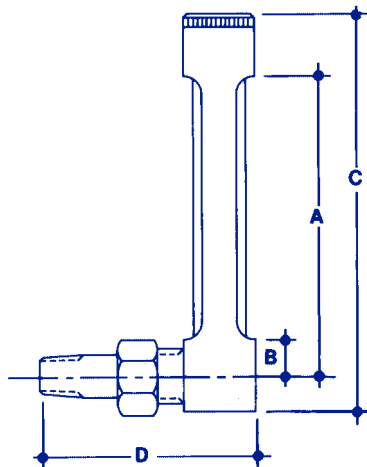
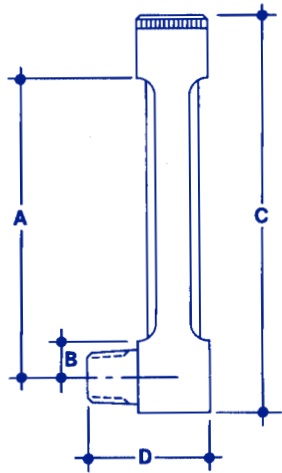
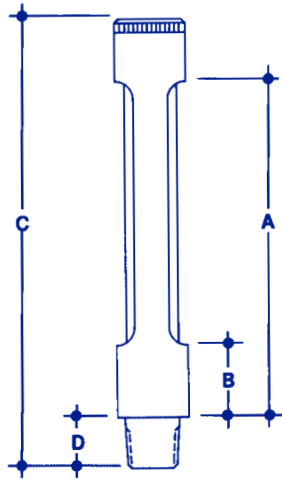
Style PF Shown

AF brass

a. Stock Thread		b.	c.	d.	e.	f.	Item Number
Top NPT	Bottom NPT						
1/8-27	1/8-27	9/16	7/16	2 1/4	3 1/4	2 5/8	04290
1/4-18	1/4-18	9/16	7/16	2 1/4	3 1/4	2 5/8	04291
3/8-18	3/8-18	9/16	7/16	2 1/4	3 1/4	2 5/8	04292
1/8-27*	1/8-27		7/16	2 1/4	2 11/16	2 5/8	04293

*Female **Not for air service**

LIQUID LEVEL GAUGES



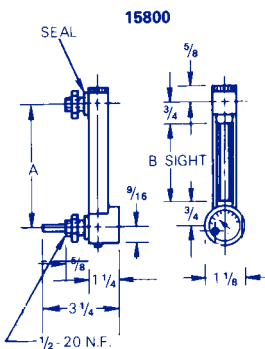
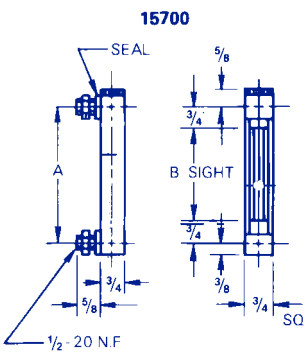
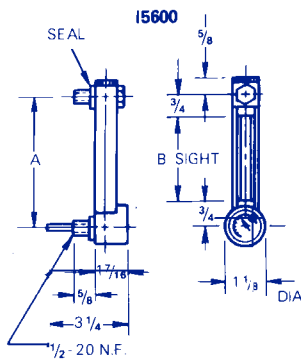
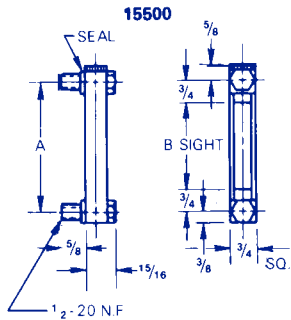
VFG Stock Threads NPT	a.	b.	c.	d.	Item Number
1/8-27	2 1/2	3/4	3 3/4	1/2	15302
1/8-27	3 1/16	3/4	4 7/16	5/8	15303
1/8-27	4 1/4	1	5 5/8	5/8	15305
1/4-18	2 1/2	3/4	3 3/4	1/2	15312
1/4-18	3 1/16	3/4	4 7/16	5/8	15313
1/4-18	3 1/2	3/4	4 7/8	5/8	15314
1/4-18	4 1/4	1	5 5/8	5/8	15315
1/4-18	4 1/2	1	5 7/8	5/8	15316
1/4-18	5 1/2	1	6 7/8	5/8	15317
1/4-18	6 1/2	1	7 7/8	5/8	15318
3/8-18	4 1/4	1	5 5/8	5/8	15321
3/8-18	4 1/2	1	5 7/8	5/8	15322
3/8-18	5 1/2	1	6 7/8	5/8	15323
3/8-18	6 1/2	1	7 7/8	5/8	15324
1/2-14	4 1/4	1	5 5/8	5/8	15331
1/2-14	4 1/2	1	5 7/8	5/8	15332
1/2-14	5 1/2	1	6 7/8	5/8	15333
1/2-14	6 1/2	1	7 7/8	5/8	15334
FG Stock Threads	a.	b.	c.	d.	Item Number
1/8-27	2 1/8	3/8	3 1/4	1 3/8	15202
1/8-27	2 11/16	3/8	3 13/16	1 3/8	15203
1/8-27	3 1/8	3/8	4 1/4	1 3/8	15204
1/8-27	3 3/4	1/2	5	1 3/8	15205
1/4-18	2 1/8	3/8	3 1/4	1 3/8	15212
1/4-18	2 11/16	3/8	3 13/16	1 3/8	15213
1/4-18	3 1/8	3/8	4 1/4	1 3/8	15214
1/4-18	3 3/4	1/2	5	1 5/8	15215
1/4-18	4	1/2	5 1/4	1 5/8	15216
1/4-18	5	1/2	6 1/4	1 5/8	15217
1/4-18	6	1/2	7 1/4	1 5/8	15218
3/8-18	3 3/4	1/2	5	1 5/8	15221
3/8-18	4	1/2	5 1/4	1 5/8	15222
3/8-18	5	1/2	6 1/4	1 5/8	15223
3/8-18	6	1/2	7 1/4	1 5/8	15224
1/2-14	3 3/4	1/2	5	1 5/8	15231
1/2-14	4	1/2	5 1/4	1 5/8	15232
1/2-14	5	1/2	6 1/4	1 5/8	15233
1/2-14	6	1/2	7 1/4	1 5/8	15234
FG with union coupling Stock Threads	a.	b.	c.	d.	Item Number
1/8-27	2 1/8	3/8	3 1/4	2 1/2	15402
1/8-27	2 11/16	3/8	3 13/16	2 1/2	15403
1/8-27	3 1/8	3/8	4 1/4	2 1/2	15404
1/8-27	3 3/4	1/2	5	2 3/4	15405
1/8-27	5	1/2	6 1/4	2 3/4	15407
1/4-18	2 1/8	3/8	3 1/4	2 1/2	15412
1/4-18	2 11/16	3/8	3 13/16	2 1/2	15413
1/4-18	3 1/8	3/8	4 1/4	2 1/2	15414
1/4-18	3 3/4	1/2	5	2 3/4	15415
1/4-18	4	1/2	5 1/4	2 3/4	15416
1/4-18	5	1/2	6 1/4	2 3/4	15417
1/4-18	6	1/2	7 1/4	2 3/4	15418
3/8-18	3 3/4	1/2	5	3	15421
3/8-18	4	1/2	5 1/4	3	15422
3/8-18	5	1/2	6 1/4	3	15423
3/8-18	6	1/2	7 1/4	3	15424
1/2-14	3 3/4	1/2	5	3 1/8	15431
1/2-14	4	1/2	5 1/4	3 1/8	15432
1/2-14	5	1/2	6 1/4	3 1/8	15433
1/2-14	6	1/2	7 1/4	3 1/8	15434

These liquid level column view gauges are of sturdy one-piece aluminum construction. The sight windows are cut full length to provide easy viewing of a wide range of liquid levels. The screw-type vented cap is knurled for easy removal by hand to permit cleaning of the inside of the glass. Sight glass is securely locked between two heavy gaskets. The body has a gold anodized finish.

VFG used where oil gauge cannot be extended outwardly by means of an elbow.

FG with Union Coupling used where there is insufficient clearance to screw in a one-piece gauge.

NEED A SPECIAL?
Give Gits a call at
1-800-323-3238



COLUMN VIEW GAUGES, SHIELDED GLASS SIGHT WITH OR WITHOUT DIAL THERMOMETER

Fluid level and temperature of liquids in reservoirs can be checked instantly with Gits column view gauges. Designed to mount flush against the outside surface of liquid storage vessels, these gauges are used for applications such as tanks, reservoirs, packaged hydraulic equipment, steel mill pumps, and hydraulic presses.

The liquid reaches the sight glass through the lower hollow mounting bolt. Large oil passages yield a quick level response.

MOUNTING

On open tanks with drilled holes, use back mounted gauges fastened from the inside with nuts provided for the 1/2-20 mounting studs. On closed tanks where wall thickness permits tapping, use front mounted gauges installed from the outside by means of 1/2-20 hexagonal head mounting bolts provided.

THERMOMETERS

One-inch dial (0° - 220° F) is standard. The sensing element is fully protected and extends into the tank for accurate temperature indication.

MATERIAL AND OPERATING CONDITIONS

Metal parts are steel protected by zinc plate. O-ring seals are Buna N, Viton A, or Ethylene Propylene as specified. Sight is gauge glass. Maximum pressure is 125 P.S.I. for gauges up to 36 inches. Maximum temperature is 220° F.

HOW TO ORDER

Popular sizes are shown in these tables, but gauges are available with mounting centers up to 60" in 1" increments. Overall length is 1 5/8" greater and sight openings are 1 1/2" less than the mounting center distance in all cases.



Not for air service.

FRONT MOUNT

15500



15600



Not for air service.

BACK MOUNT

15700



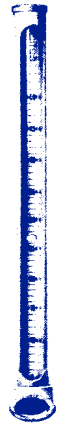
15800

a. Mounting Centers (in.)	b. Sight Openings (in.)	series 15500	series 15600	series 15700	series 15800
		w/o thermometer	w/ thermometer	w/o thermometer	w/ thermometer
		Item Number	Item Number	Item Number	Item Number
3	1 1/2	15503	15603	15703	15803
4	2 1/2	15504	15604	15704	15804
5	3 1/2	15505	15605	15705	15805
6	4 1/2	15506	15606	15706	15806
7	5 1/2	15507	15607	15707	15807
8	6 1/2	15508	15608	15708	15808
9	7 1/2	15509	15609	15709	
10	8 1/2	15510	15610	15710	15810
11	9 1/2	15511		15711	
12	10 1/2	15512	15612	15712	15812

GITS DRUM GAUGE

Now you can see at a glance how much oil is left in that 55-gallon drum. Use the Gits Drum Gauge and prevent the extra cost and confusion that follows when your last drum runs dry unexpectedly.

Made to fit standard 55-gallon drums, the Gits Drum Gauge provides an instant visual check of the liquid level to the nearest gallon or two, helps you identify the contents and condition of the oil by its appearance in the gauge glass, and aids with measurement and inventory control of liquids on hand. The steel body is zinc-plated to resist rust and corrosion. The gauge glass is well protected against damage and can be easily removed for cleaning. A cork ball in the gauge glass makes the liquid level visible from a distance. To attach the gauge to the drum, simply screw it into the 3/4" NPT opening in the drum and screw your usual drum faucet into the gauge.



steel, zinc plated

Drum Gauge	Overall Height	Thread Size	Item Number
	22 7/64	3/4 NPT	1756-1

SHIELDED COLUMN VIEW GAUGE

These liquid level column view gauges feature a fully enclosed perforated stainless steel shield and a large 7/8" diameter sight which allows easy viewing of the liquid level at any angle. These gauges are ideal for use on bulk storage tanks where durable construction and easy viewing is required.

These units are built from 304 stainless steel with polycarbonate sights and Buna-N or Viton O-Rings. They are available in lengths of 1 to 12 feet in 1" increments.

Thread	Diameter	Assembly Clearance	Item Number
1" NPT	1 5/8"	1 7/8"	1757-1

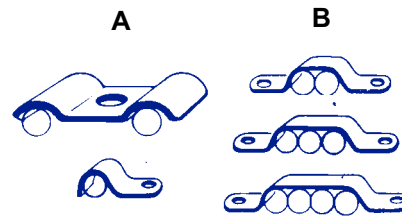


STYLE TF TUBING CLIPS

To facilitate piping connections between Gits products and the points of lubrication, Gits offers a series of tubing clips described below, to attach tubing to the apparatus.

steel, zinc plated

Size	A Double Item Number	A Single Item Number	B 2-tube Item Number	B 3-tube Item Number	B 4-tube Item Number
1/4"	08270	08258	08259	08260	08261
5/16"	04323	08241	08242		08244
3/8"	08271	08264	08265	08266	08267



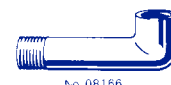
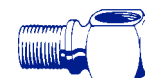
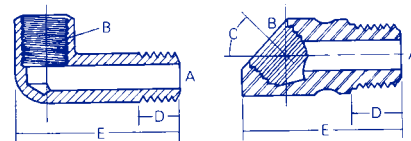
STYLE F ANGLE FITTINGS

These are one-piece fittings that simplify the assembly of your lubricating system. They are machined from solid bar stock for extra durability and are available in 45° and 90° angles.

steel, zinc plated

a.	b.	c.	d.	e.	Item Number
1/8-27 NPT	1/8-27 NPT	45°	5/16	1 1/16	08155
1/8-27 NPT	1/8-27 NPT	90°	5/16	1 1/16	08157
1/4-18 NPT	1/4-18 NPT	90°	15/32	1 3/8	08165
1/8-27 NPT	1/8-27 NPT	90°	5/16	1 7/8	08166

CROSS SECTION



**BREATHERS
EXPANSION CHAMBERS
PRESSURE/VACUUM VENTS
FUSIBLE CAPS**



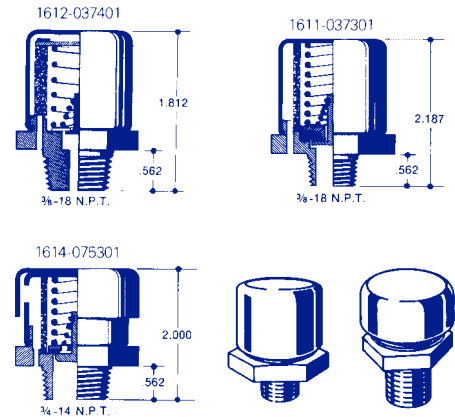
FILTERED PRESSURE/VACUUM RELIEF VENTS 1611, 1612

These multi-purpose breather vents safeguard against extreme pressure or vacuum build-up while filtering out dust and other contaminants which can impair the functioning of expensive equipment.

The cutaway drawings illustrate the two seating methods available. The 1611 uses a pair of "O" rings that rest on either side of the ports. The 1612 uses "O" rings that seats directly on the ports. Both "O" rings and gaskets are soft, resilient material for more positive sealing.

steel, zinc plated

PRESSURE RELIEF		VACUUM RELIEF		LEAKAGE	ITEM NUMBER
CRACKING	FLOW	CRACKING	FLOW		
1.75 ± .75 P.S.I.	40 C.F.M. @ 10 P.S.I.	0 to .5 P.S.I.	1.0 C.F.M. @ .6 P.S.I.	NONE	1612-037401 3/8-18 N.P.T. 25 Micron Filter 1612-037405 3/8-18 N.P.T. 10 Micron Filter
15 ± 4 P.S.I.	7.8 C.F.M. @ 20 P.S.I.	0 to .3 P.S.I.	1.5 C.F.M. @ .6 P.S.I.	2 CC @ 0 to 4 P.S.I.	1614-075301 3/4-14 N.P.T. 25 Micron Filter
4 ± .5 P.S.I.	10 C.F.M. @ 10 P.S.I.	0 to .5 P.S.I.	1.5 C.F.M. @ .6 P.S.I.	NONE	1611-037301 3/8-18 N.P.T. 25 Micron Filter



HOW IT WORKS

1. As internal pressure nears the pre-set cracking level, it presses the plunger upward until the resilient seal clears the port, allowing the outflow of air.
2. Since this vent permits two-way air flow, it can also relieve a vacuum which can cause cavitation. The vacuum is cracked when the plunger is pulled down from the seal, allowing an inrush of air.

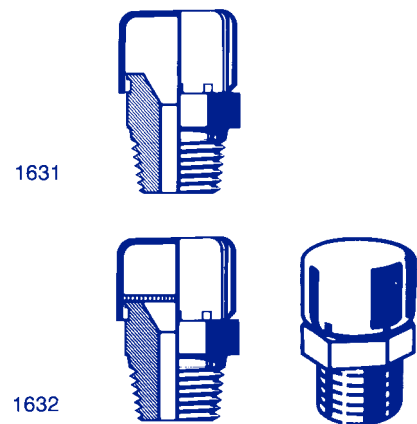
STYLE 1631, 1632, 1633 BREATHER VENTS

Designed for rugged industrial applications, these breathers maintain safe, equalized pressure in a unit even when it is being filled or under sudden changes in ambient temperature. Choices of filtration are available. Style 1631, having no air filter, permits straight-through flow of air. Style 1632 has a screen filter, and Style 1633 has a screen plus two layers of Nylon for filtration. For recommendations for your application contact Gits engineers.

Style 1631

steel, zinc plated

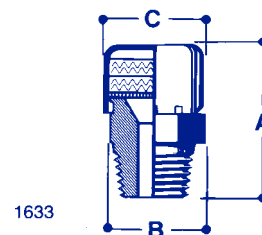
A	B	C	THREAD	OPEN VENT	CHECK BALL
1 9/32	1/2	5/8	1/8-27 NPT	1631-012001	1631-025002 (4-6 P.S.I.)
1 11/32	3/4	7/8	1/4-18NPT	1631-025001	
1 11/32	3/4	7/8	1/4-18 NPT		
1 11/32	3/4	7/8	3/8-18 NPT	1631-037001	
1 15/32	7/8	1	1/2-14 NPT	1631-050001	
1 11/16	1 1/4	1 1/2	3/4-14 NPT	1631-075001	



Style 1632 Style 1633

steel, zinc plated

A	B	C	THREAD	SCREEN FILTER	NYLON
1 9/32	1/2	5/8	1/8-27 NPT	1632-012001	1633-012801
1 11/32	3/4	7/8	1/4-18 NPT	1632-025001	1633-025801
1 11/32	3/4	7/8	3/8-18 NPT	1632-037001	1633-037801
1 15/32	7/8	1	1/2-14 NPT	1632-050001	1633-050801
1 11/16	1 1/4	1 1/2	3/4-14 NPT	1632-075001	1633-075801
1 15/32	7/8	1	M16-2 Metric Pipe Thread		1633-1602
1 11/16	1 1/4	1 1/2	M24-2 Metric Pipe Thread		1633-2402



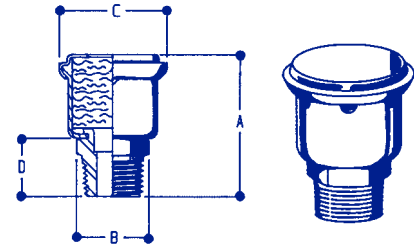
STYLE 1637 FILTERED BREATHER VENT

With screen and nylon filtration

These breathers are ideally suited to maintain equalized pressure in axle differentials and transmissions, also in industrial gearboxes and transmissions. This prevents damage to seals due to change in ambient temperatures, on-off cycles or during filling.

steel, zinc plated

THREAD	a.	b.	c.	d.	Item Number
1/4-18 NPT	1 1/2	11/16	11/4	5/8	1637-025800
3/8-18 NPT	1 1/2	11/16	11/4	5/8	1637-037800
1/2-14 NPT	1 13/16	7/8	11/4	7/8	1637-050800

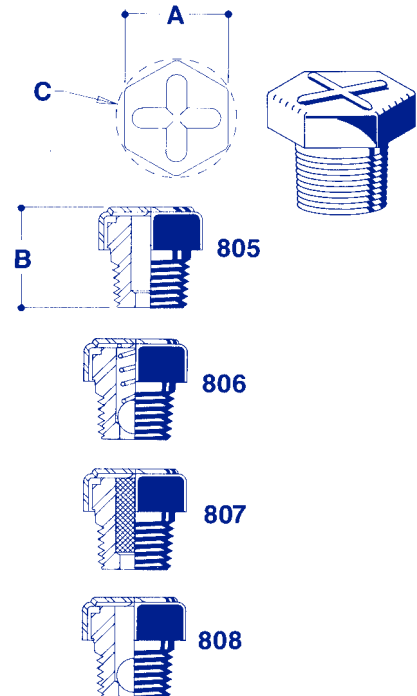


STYLE 1637 LOW PROFILE BREATHER VENT

Style 1637 Breather Vents are designed for use in differentials, transmissions, gear boxes and other applications where space is at a premium and ease of installation is required. These steel breathers provide a low profile design. Of particular interest is the fact that they can be installed and removed with automatic tools allowing for fast handling. These units are designed for rugged use and are available in four versions: open, pressure relief, filtered and baffled.

steel, zinc plated

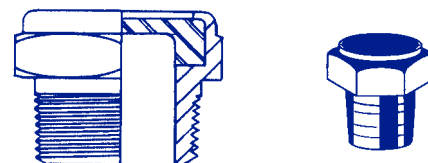
THREAD	Type	a.	b.	c.	Item Number
1/4-18 NPT	Open	3/4	3/4	7/8	1637-037805
1/4-18 NPT	Pressure Relief	3/4	3/4	7/8	1637-037806
1/4-18 NPT	Filtered	3/4	3/4	7/8	1637-037807
1/4-18 NPT	Baffled	3/4	3/4	7/8	1637-037808
7/16-20 NF	Filtered (Sintered Bronze)	3/4	13/16	7/8	1637-043001



STYLE 1654 LOW PROFILE BREATHER VENT

Has 40 micron sintered bronze filtered

THREAD	Hex Size	Overall Length	Item Number
10-32 NPT	13/32"	5/16"	1654-010800
1/8" NPT	5/8"	9/16"	1654-012800
1/4" NPT	13/16"	3/4"	1654-025800
3/8" NPT	13/16"	3/4"	1654-037800
1/2" NPT	7/8"	1"	1654-050800

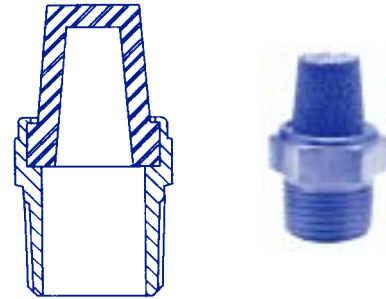


BREATHER VENTS/EXPANSION CHAMBERS

Style 1640 BREATHER VENT

Has sintered bronze filter

THREAD	Hex Size	Overall Length	Item Number
1/8" NPT	7/16"	1.200	1640-012800
1/4" NPT	9/16"	1.275	1640-025800
3/8" NPT	3/4"	1.375	1640-037800
1/2" NPT	7/8"	1.600	1640-050800



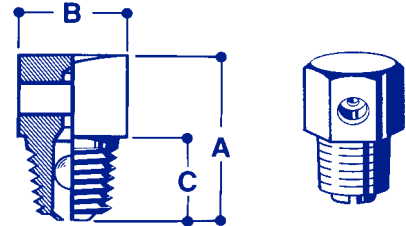
STYLE 1651 LEAK CONTROL BREATHER VENT

This breather was designed especially for a vehicle gasoline tank to prevent a pressure build-up and to minimize leakage if the tank or vehicle turns over.

The unit allows a free flow of air to vent the tank when in a normal position. When the tank is turned more than 90° from normal position, the ball acts as a baffle which restricts the amount of leakage, reduces fire hazard and eliminates pressure build-up which could rupture the tank. The unit conforms to Bureau of Motor Carrier Safety Regulations specifications Part 393.65 and 393.67 for fuel systems and fuel tanks.

aluminum, zinc plated

THREAD	a.	b.	C.	Ball Type	Item Number
1/4-18 NPT	1	5/8	1/2	PTFE	1651-025027*
1/4-18 NPT	1	5/8	1/2	S.S.	1651-025026
3/8-18 NPT	1	3/4	1/2	PTFE	1651-037004*



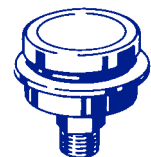
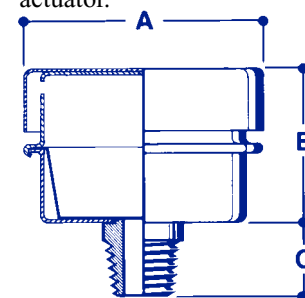
*Filtered

EXPANSION CHAMBERS

The Gits Expansion chamber absorbs surges and expansion of gas or fluids in a closed system. Expansion is provided by the movement of a tough, elastic diaphragm enclosed in a protective steel chamber. On machines with lip-type seals it reduces pressure buildup which can cause seal failure. At the same time it prevents the contamination which enters open systems through conventional means of open venting.

steel, zinc plated

THREAD	Capacity	a.	b.	c.	Item Number
1/2-14 NPT	5.0 cu. in.	2 7/8	1 1/4	1 1/4	1010-050000
3/8-18 NPT	10.4 cu. in.	2 5/8	3 7/16	1 1/8	1010-104001
3/8-18 NPT	10.4 cu. in.	2 5/8	3 7/16	1 7/16	1010-12
3/8-18 NPT	16.0 cu. in.	3 5/8	2 3/8	7/8	1010-2
3/8-18 NPT	16.0 cu. in.	4 1/8	2 3/8	7/8	1010-13
3/4-14 NPT	16.0 cu. in.	3 5/8	2 3/8	1 1/4	1010-1
1/4-18 NPT	16.25 cu. in.	3 11/16	2 3/8	1 3/4	1010-8
1/2-14 NPT	16.25 cu. in.	3 11/16	2 3/8	1 1/4	1010-7
1/2-14 NPT	16.25 cu. in.	3 5/8	2 3/8	1	1010-6
1/2-14 NPT	25.0 cu. in.	3 5/8	3 11/16	1	1010-025001+
1/2-14 NPT	25.0 cu. in.	3 5/8	3 11/16	1	1010-025002
1/4-18 NPT	25.0 cu. in.	3 5/8	3 11/16	1	1010-025003
1/2-14 NPT	86.0 cu. in.	7	3 1/16	1	1010-28*
1/2-14 NPT	70.0 cu. in.	7 1/16	2 5/8	1 1/16	1010-070000*
1/2-14 NPT	80.0 cu. in.	7	3	1 1/16	1010-18*
1/2-14 NPT	80.0 cu. in.	7	3	3	1010-23+
3/4-14 NPT	150.0 cu. in.	7	7 13/32	1 15/32	1010-150000*+



+Spring loaded positive pressure *Not exact dimensions, call Gits for a print

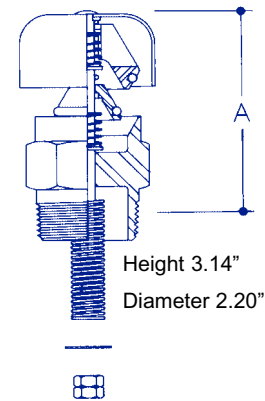
HFV RELIEF VENT

The unique HFV relief vent from Gits allows high volume air flow from containers where low pressure and vacuum relief are necessary. These units were designed to provide improved pressure control in portable chemical storage tanks, but have found a wide range of applications. The 1655 style provides for both pressure and vacuum relief, effectively eliminating the need for two separate vents, while the 1656 and 1657 style vents provide for vacuum or pressure relief only, respectively. These units are available in 316 stainless, as well as aluminum, polyethylene and polypropylene. Filters and spark arrestors are also available upon request. Pressure relief is set as per customer request from 1 to 15 psi with vacuum set at .15 psi to 1.0 psi per customer needs. Following is a partial listing of combinations available.

The Original Dual Purpose 1 1/4" NPT Pressure/Vacuum Relief Vent Series 1655-1258xx* (All springs and rods are 316 S.S.)

Material	Elastomer Seals	Pressure Setting	Vacuum Setting
316 S.S. Aluminum	Viton (R) BunaN PTFE EPDM	.25P.S.I. to 35 P.S.I. specify exact P.S.I. desired	Choose 1 .25 P.S.I. .5 P.S.I. 1.0 P.S.I.

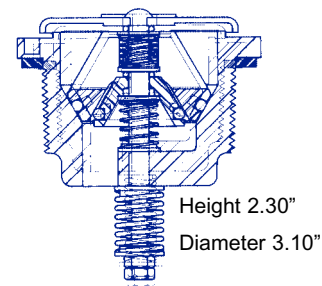
*Also available with 1" NPT, BSPP male or female threads by special order - longer lead time required



Dual Purpose Low Profile 2" NPS Pressure/Vacuum Relief Vent Series 1655-2008xx* (All springs and rods are 316 S.S.)

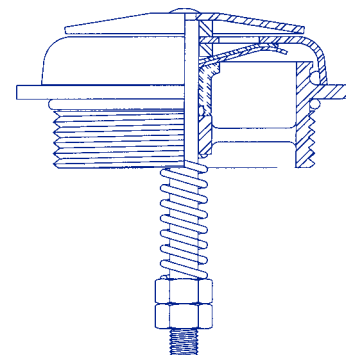
Material	Elastomer Seals	Pressure Setting	Vacuum Setting
316 S.S. Polypropylene Polyethylene	Viton (R) BunaN PTFE EPDM	.25P.S.I. to 41 P.S.I. (15 P.S.I. max. for poly) specify exact P.S.I. desired	Choose 1 .25 P.S.I. .5 P.S.I. 1.0 P.S.I.

*Polypropylene also available in short thread configuration to fit NPT application.



New Design Low Profile 2" NPS Pressure/Vacuum Relief Vent Series 1656-2008xx (All have S.S. cap, springs, rod)

Material	Elastomer Seals	Pressure Setting	Vacuum Setting
316 S.S. Polyethylene	Viton (R) EPDM	1.0P.S.I. to 10.0 P.S.I. specify exact P.S.I. desired	.25 P.S.I. .5 P.S.I.

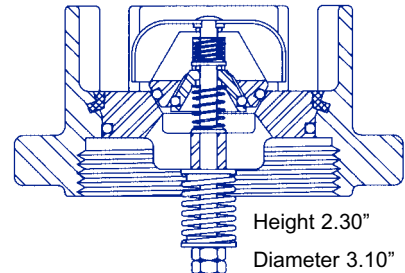


PRESSURE, VACUUM, FUSIBLE AND ROLL OVER PROTECTION VENTS

Original Five-in-One 3.0" NPS Series 1661-3009xx

The Five-in-One fusible cap combines five features into one compact device. It is a bulk storage tank fill cap, high temperature fusible device, and pressure relief vent with integral vent guard which provides rollover protection. Cable and hardware for attachment to tank included.

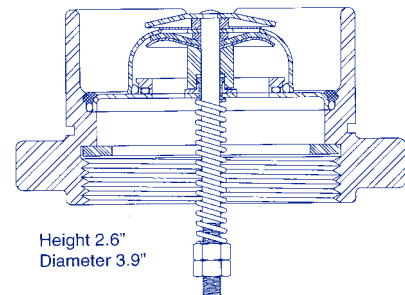
Material	Elastomer Seals	Pressure Setting	Vacuum Setting	Fusible Temperature
316 S.S.	Viton (R) PTFE EPDM	1.0 P.S.I. to 15.0 P.S.I. specify exact P.S.I. desired	.5 P.S.I. Standard Others available upon request	250°F Standard Others available upon request



High Flow Five-in-One 3.0" NPS Series 1661-3009xx

New and improved vacuum flow at a maximum of .25 P.S.I. provides extra protection when draining tanks. Cable and hardware for attachment to tank included.

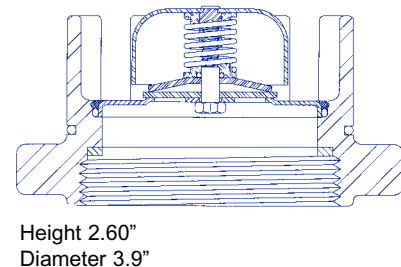
Material	Elastomer Seals	Pressure Setting	Vacuum Setting	Fusible Temperature
316 S.S.	Viton (R) PTFE EPDM BunaN	1.0 P.S.I. to 9.0 P.S.I. specify exact P.S.I. desired	.25 P.S.I.	250°F Standard Others available upon request



Pressure Only Four-in-One 3.0" NPS Series 1661-3008xx For Viscous Fluids

Overhead springs keep viscous materials from affecting the function and assists in cleaning. Cable and hardware for attachment to tank is included.

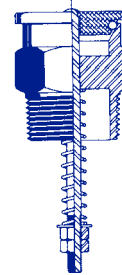
Material	Elastomer Seals	Pressure Setting	Fusible Temperature
316 S.S.	EPDM Standard	9.0 P.S.I. Standard	197°F Standard Others available upon request



Single Purpose Vents

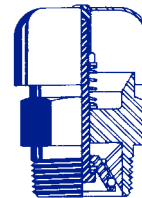
Pressure Relief Vent 1 1/4" NPT Series 1657-1257xx

Material	Elastomer Seals	Pressure Setting
316 S.S. Aluminum	Viton (R) BunaN PTFE EPDM	.5 P.S.I. to 10.0P.S.I. specify exact P.S.I. desired



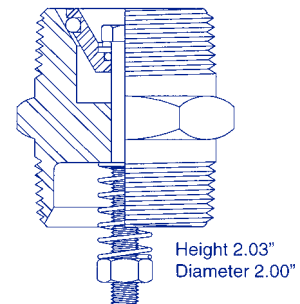
Vacuum Relief Vents 1 1/4" NPT Series 1656-1259xx

Material	Elastomer Seals	Vacuum Setting
316 S.S. Aluminum	Viton (R) BunaN PTFE EPDM	.25 P.S.I. to 1.0 P.S.I. specify exact P.S.I. desired



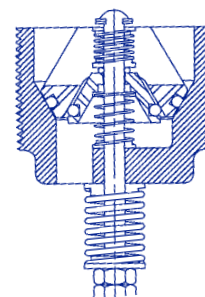
Inline Checkvalves one way Series 1659-1259xx 1 1/4" NPT by 1 1/4" NPT

Material	Elastomer Seals	Relief Setting
316 S.S.	Viton (R) BunaN PTFE EPDM	.25 P.S.I. to 15 P.S.I. specify exact P.S.I. desired



Inline Dual Pressure/Vacuum Relief 2" NPS Item Number 1655-200822

Material	Elastomer Seals	Pressure Setting	Vacuum Setting
316 S.S.	Viton (R) BunaN PTFE EPDM	.5 P.S.I. to 15 P.S.I. specify exact P.S.I. desired	.25 P.S.I. to 1.0 P.S.I. specify exact P.S.I. desired



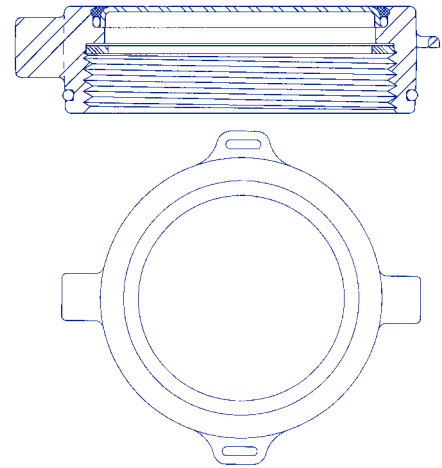
FUSIBLE FILL CAPS

3" NPS Fusible Fill Caps

Series 1657-3009xx

Our stainless steel fusible fill cap has an innovative, unbreakable fusible ring seal. It provides standard flow rates of 110,000 cfh at 250 degrees and 5.0 P.S.I.G. Cable lanyard and hardware for attachment to tank are included.

Material	Seals	Innovative ring seal	Fusible Temperature
316 S.S.	Viton (R) BunaN PTFE EPDM	Viton (R) PTFE	250° F



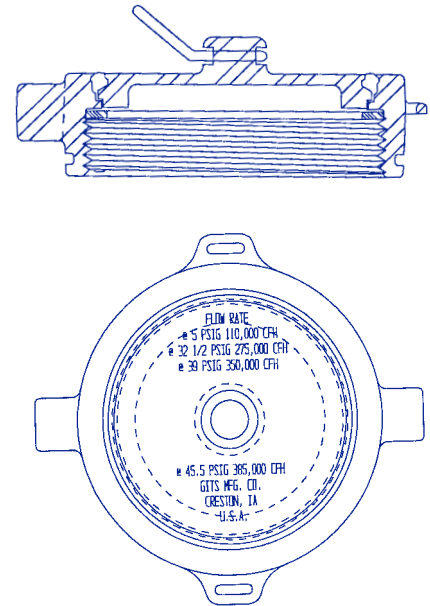
Old Standard Fusible Cap

3" NPS Fusible Fill Cap

Series 1657-3009xx

Old line design with cast center housing. Not available with innovative unbreakable fusible ring seal. It provides standard flow rates of 110,000 cfh at 250 degrees. Cable lanyard and hardware, or chain hook for use with your chain are included.

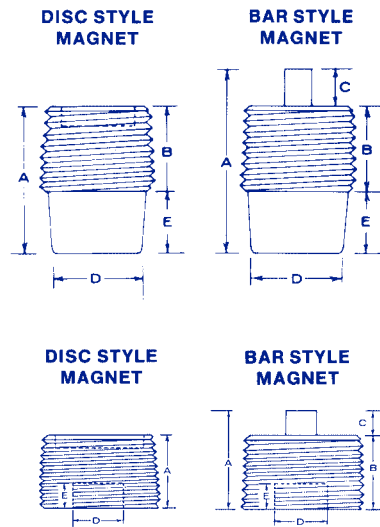
Material	Elastomer Seals	Innovative ring seal	Fusible Temperature	Tank Attachment
316 S.S.	Viton (R) BunaN PTFE EPDM	NONE	250° F	Cable lanyard Chain hook (no chain)



MAGNETIC PLUGS

Square Head

Nominal Pipe Size	Magnet Style & Material	Part Number
1/4"-18 NPTF	Bar Alnico V	6650-1
3/8"-18 NPTF	Bar Alnico V	6651-1
3/8"-18 NPTF	Disc Ferrite	6652-1
1/2"-14 NPTF	Disc Ferrite	6653-1
3/4"-14 NPTF	Disc Ferrite	6654-1
1"-11 1/4" NPTF	Disc Ferrite	6655-1
1 1/4"-11 1/2" NPTF	Disc Ferrite	6656-1



Square Recessed

Nominal Pipe Size	Magnet Style & Material	Part Number
1/2"-14 NPTF	Disc Ferrite	6657-1
3/4"-14 NPTF	Disc Ferrite	6658-1
3/4"-14 NPTF	Bar Ferrite	6659-1
1"-11 1/2" NPTF	Disc Ferrite	6660-1

Hex Recessed

Nominal Pipe Size	Magnet Style & Material	Part Number
1/8"-27 NPTF	Bar Alnico V	6661-1
1/4"-18 NPTF	Bar Alnico V	6662-1
3/8"-18 NPTF	Bar Alnico V	6663-1
3/8"-18 NPTF	Disc Ferrite	6664-1
1/2"-14 NPTF	Bar Alnico V	6665-1
1/2"-14 NPTF	Disc Ferrite	6666-1
3/4"-14 NPTF	Disc Ferrite	6667-1

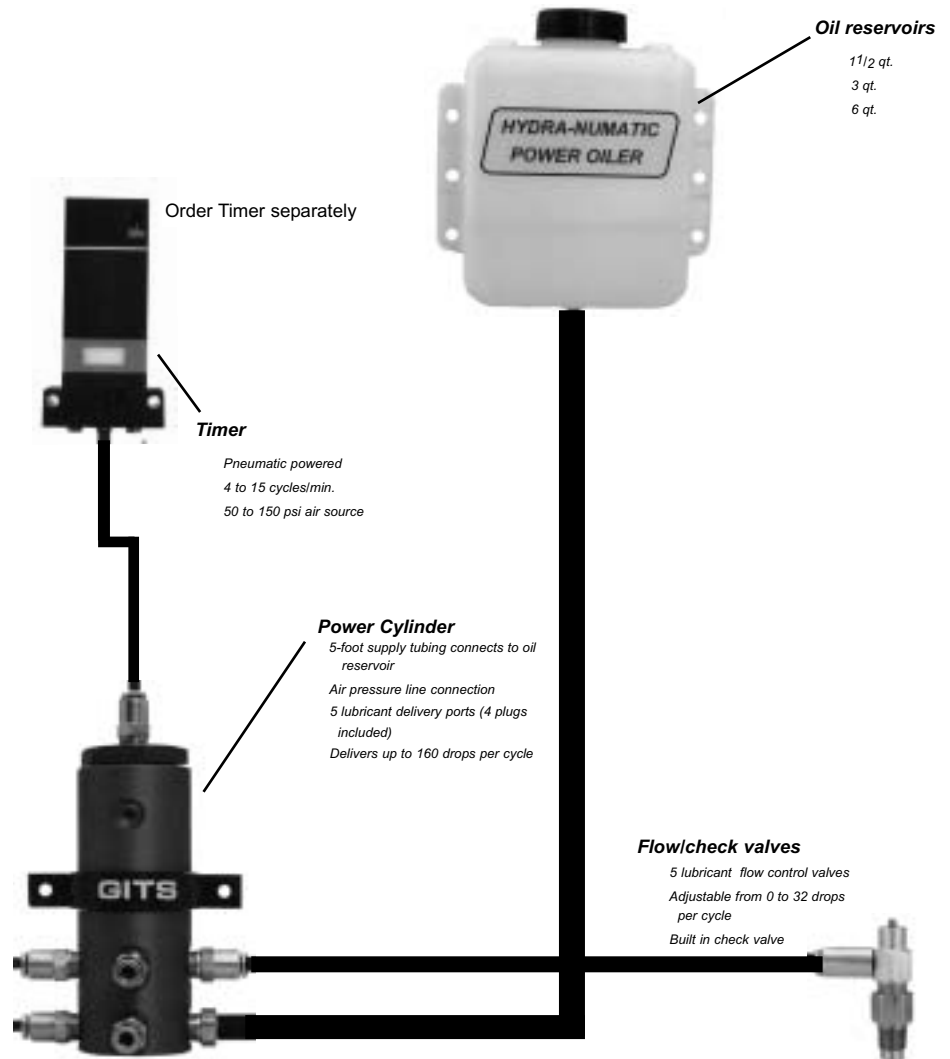
WE APPRECIATE THE OPPORTUNITY TO SERVE YOU

Give us a call at 1-800-323-3238, Fax us at 641-782-6365 or
Visit us on the web at www.gitsmfg.com

AUTOMATIC LUBRICATION SYSTEM

Applications

- Gear boxes
- Bearings
- Conveyor Belts
- Gears
- Spindles
- Drill presses
- Bit cooling
- Hazardous environments
- Stock feeders
- Blades
- Outdoor locations
- Punch presses
- Screw machines
- Lathes
- Bearing sides
- Printing presses
- Industrial manufacturing machinery
- Cutting tool cooling
- Milling machines
- Motors
- Crank cases
- Wet locations
- Roller chains



Part #	Description	A	B
1907-1	1.5 Quart Power Oiler Kit	7 1/2	5 1/2
1907-2	3.0 Quart Power Oiler Kit	8 1/2	8 1/2
1907-3	6.0 Quart Power Oiler Kit	15 1/2	8 1/2
*1907-4	55-Gal. Drum Kit (3 outlets)		
3081-1	Pneumatic Timer		
FOR ADDING EXTRA LUBRICATION POINTS, COMPONENTS TO THE HYDRA-NUMATIC POWER OILER SYSTEM ARE AVAILABLE.			
2004-834	Power Cylinder Assembly		
3074-329	100 Ft. 5/32 Nylon Tubing		
3074-330	5Ft. 7/32 I.D. Tubing		
2004-844	Flow/Check Valve Assembly		
SYSTEM ACCESSORIES			
1907-5	Misting Nozzle Assembly		
04283	Style OL View Gauge		
04243	View Gauge with Valve		

*Call for lead time

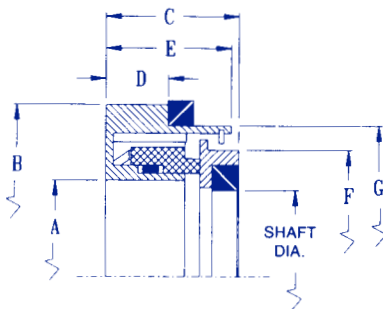
The HYDRA-NUMATIC POWER OILER is a cycling type oil system that uses a pneumatic cylinder to provide the power to lubricate bearings, slides and pivot points. The oil is delivered at predetermined time intervals to independently metered lubrication points. The system is flexible in its mounting configuration and simple to install. This unit is totally pneumatically operated and requires no electrical connections.

Each kit includes the following to set and operate a 5 point system: Reservoir, Power Cylinder Assembly with 5 Outlet Ports, 5 Needle Valve Metering Devices for connection to the lubrication points, 5 Check Valves, 100 ft. of 5/32 Nylon tubing, and 5 ft. of 1/4 Supply Tubing. An intermittent air supply of 150psi maximum is necessary to cycle the power cylinder, where this is unavailable, a pneumatic timer can be supplied.

“Take-Apart” Shaft Seals

SHAFT SEALS

The “Take-Apart” Gits shaft seal was specifically designed to offer ease in assembly and field maintenance without any modification to existing equipment. The design permits easy component replacement, such as o-ring or spring, if necessary. This feature practically eliminates the need to replace the entire seal if one component shows wear. The “Take-Apart” design promotes the concept that special materials for o-rings and mating rings can be substituted for standard materials upon request.



HOW TO SPECIFY A GITS SHAFT SEAL:

Spec Control No. Explanation
510 — 0000 — 000

Type of Seal	Shaft Size (Decimal)	Design Variation (assigned by Gits)
--------------	----------------------	-------------------------------------

GROUP	SERIES NUMBER	SHAFT DIA. NOMINAL	SEAL BORE A REF.	SEAL O.D. B +.002 - .000	WORKING LENGTH C ± .030	MAJOR DIA LENGTH D REF.	SHELL LENGTH E ± .010	MATING RING OD F REF.	MINOR CASE DIA G ± .015
1	510-0025-000	1/4	.312	1.064	.531	.218	.468	.625	.875
2	510-0031- 510-0037-	5/16 3/8	.437	1.127	.593	.281	.531	.687	.937
3	510-0043- 510-0050- 510-0056-	7/16 1/2 9/16	.625	1.314	.593	.281	.531	.875	1.125
4	510-0062- 510-0068- 510-0075-	5/8 11/16 3/4	.843	1.502	.593	.281	.531	1.062	1.312
5	510-0081- 510-0087-	13/16 7/8	.937	1.689	.687	.312	.625	1.250	1.500
6	510-0093- 510-0100-	15/16 1.000	1.043	1.814	.687	.312	.625	1.375	1.625
7	510-0106- 510-0112-	1-1/16 1-1/8	1.218	2.127	.750	.343	.687	1.593	1.875
8	510-0118- 510-0125-	1-3/16 1-1/4	1.343	2.252	.750	.343	.687	1.718	2.000
9	510-0131- 510-0137- 510-0143- 510-0150-	1-5/16 1-3/8 1-7/16 1-1/2	1.593	2.502	.812	.375	.687	1.968	2.250
10	510-0156- 510-0162-	1-9/16 1-5/8	1.718	2.627	.812	.375	.750	2.093	2.375
11	510-0168- 510-0175-	1-11/16 1-3/4	1.828	2.752	.812	.375	.750	2.218	2.500
12	510-0181- 510-0187-	1-13/16 1-7/8	1.953	2.877	.812	.375	.750	2.343	2.625
13	510-0193- 510-0200-	1-15/16 2.000	2.093	3.252	.812	.375	.750	2.625	3.000
14	510-0206- 510-0212- 510-0218- 510-0225-	2-1/16 2-1/8 2-3/16 2-1/4	2.312	3.502	.875	.406	.812	2.875	3.250
15	510-0231- 510-0237- 510-0243- 510-0250-	2-5/16 2-3/8 2-7/16 2-1/2	2.562	3.752	.875	.406	.812	3.125	3.500
16	510-0256- 510-0262- 510-0268- 510-0275-	2-9/16 2-5/8 2-11/16 2-3/4	2.812	4.002	.937	.437	.875	3.375	3.625
17	510-0281- 510-0287- 510-0293- 510-0300-	2-13/16 2-7/8 2-15/16 3.000	3.093	4.502	.937	.437	.875	3.781	4.125
18	510-0306- 510-0312- 510-0318- 510-0325-	3-1/16 3-1/8 3-3/16 3-1/4	3.343	4.752	1.000	.437	.937	4.031	4.375
19	510-0331- 510-0337- 510-0343- 510-0350-	3-5/16 3-3/8 3-7/16 3-1/2	3.593	5.002	1.000	.437	.937	4.281	4.625
20	510-0356- 510-0362- 510-0368- 510-0375-	3-9/16 3-5/8 3-11/16 3-3/4	3.843	5.252	1.000	.437	.937	4.531	4.875
21	510-0381- 510-0387- 510-0393- 510-0400-000	3-13/16 3-7/8 3-15/16 4.000	4.093	5.502	1.000	.437	.937	4.781	5.125

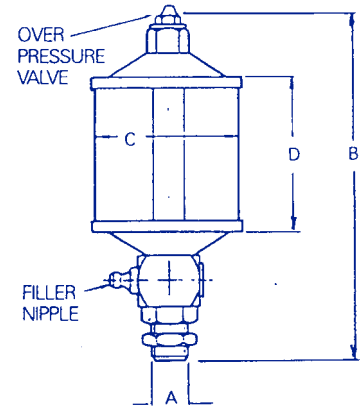
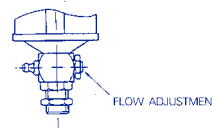
SPRING GREASERS PLEXIGLASS RESERVOIR

ADJUSTABLE FLOW RATE AND ON/OFF

Capacity	Thread	Item Number
50cc	1/4 BSP	6403-1

FEATURES

Use grease gun to fill via grease nipple.
 Visual level indication.
 Suitable for use with greases which do not separate under pressure.
 Nitrile rubber seals and plexiglass reservoir.
 Maximum working temperature 140°F



SPRING GREASERS, STEEL RESERVOIRS

STANDARD SPRING PRESSURE (RED CAP)

Mounted directly to lubrication point.
 Suitable for use with light grease.

steel, zinc plated

Spring Pressure	Thread	Capacity	Item Number
1.0 PSI	1/4 NPT	80cc	6404-1

STRONG SPRING PRESSURE (YELLOW CAP)

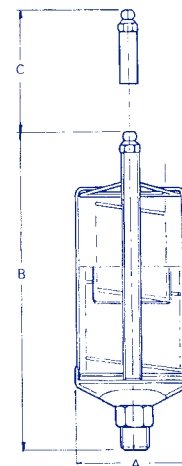
Suitable for use with large bore pipe up to 50mm.

steel, zinc plated

Spring Pressure	Thread	Capacity	Item Number
1.6 PSI	1/4 NPT	80cc	6406-1

FEATURES

Use grease gun to fill via grease nipple. No maintenance required. Can be mounted in any position. Constant lubrication pressure. Level indicator rod.



DIMENSIONS

A = 48mm

B = 135mm

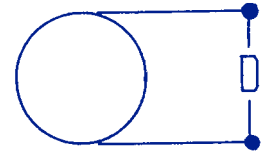
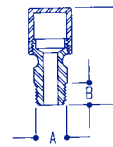
C = 50mm

GREASE CUPS PRESSED STEEL AND BRASS

STYLE GA GREASE CUPS

steel, zinc plated finish

Capacity in Ounces	a.	b.	c.	d.	Item Number
1/20	1/4-32 NEF	5/32	11/8	5/8	07000
1/20	5/16-32 NEF	5/32	11/8	5/8	07001
1/20	1/8-27 NPT	7/32	11/4	5/8	07002



TAKE ADVANTAGE

of Gits newly expanded manufacturing capabilities and over nine decades of manufacturing experience. Our sales staff, engineering personnel, prototype people and production employees are ready to help with your problem parts, new product development or to get you the best quality at the lowest possible price on existing OE parts.

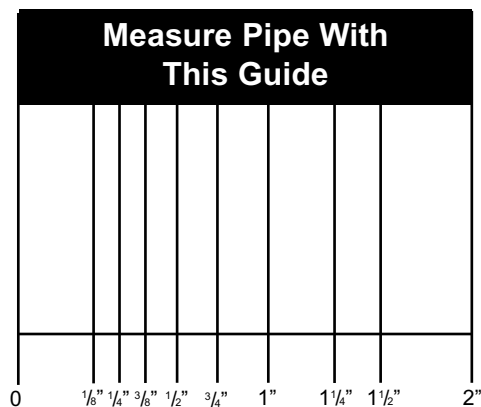
**WE APPRECIATE THE OPPORTUNITY
TO SERVE YOU**

Give us a call at 641-782-2105 or 1-800-323-3238, Fax us at 641-782-6365 or
Visit us on the web at www.gitsmfg.com

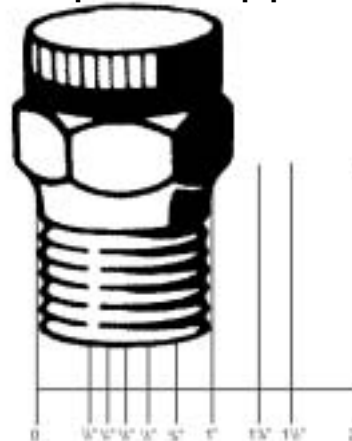
Sizing Guides

For measuring pipe and fittings with male threads.

To determine the size of a male threaded pipe, put the outside edge of the pipe on the line with the "0". The line that the opposite edge of the pipe touches gives the size of the pipe.



Example of a 1" pipe



GITS MFG. CO.

Since 1910

EQUIVALENTS

FRACTIONAL	DECIMAL	METRIC	FRACTIONAL	DECIMAL	METRIC
$\frac{1}{64}$.015625	.39688	$\frac{33}{64}$.515625	13.09688
$\frac{1}{32}$.03125	.79375	$\frac{17}{32}$.53125	13.49375
$\frac{3}{64}$.046875	1.19063	$\frac{35}{64}$.546875	13.89063
$\frac{1}{16}$.0625	1.58750	$\frac{9}{16}$.5625	14.28750
$\frac{5}{64}$.078125	1.98438	$\frac{37}{64}$.578125	14.68438
$\frac{3}{32}$.09375	2.38125	$\frac{19}{32}$.59375	15.08125
$\frac{7}{64}$.109375	2.77813	$\frac{39}{64}$.609375	15.47813
$\frac{1}{8}$.125	3.17500	$\frac{5}{8}$.625	15.87500
$\frac{9}{64}$.140625	3.57188	$\frac{41}{64}$.640625	16.27188
$\frac{5}{32}$.15625	3.9687	$\frac{21}{32}$.65625	16.66875
$\frac{11}{64}$.171875	4.36563	$\frac{43}{64}$.671875	17.06563
$\frac{3}{16}$.1875	4.76250	$\frac{11}{16}$.6875	17.46250
$\frac{13}{64}$.203125	5.15938	$\frac{45}{64}$.703125	17.85938
$\frac{7}{32}$.21875	5.55625	$\frac{23}{32}$.71875	18.25625
$\frac{15}{64}$.234375	5.95313	$\frac{47}{64}$.734375	18.65313
$\frac{1}{4}$.250	6.35000	$\frac{3}{4}$.750	19.05000
$\frac{17}{64}$.265625	6.74688	$\frac{49}{64}$.765625	19.44688
$\frac{9}{32}$.28125	7.14375	$\frac{25}{32}$.78125	19.84375
$\frac{19}{64}$.296875	7.54063	$\frac{51}{64}$.796875	20.24063
$\frac{5}{16}$.3125	7.93750	$\frac{13}{16}$.8125	20.63750
$\frac{21}{64}$.328125	8.33438	$\frac{53}{64}$.828125	21.03438
$\frac{11}{32}$.34375	8.73125	$\frac{27}{32}$.84375	21.43125
$\frac{23}{64}$.359375	9.12813	$\frac{55}{64}$.859375	21.82813
$\frac{3}{8}$.375	9.52500	$\frac{7}{8}$.875	22.22500
$\frac{25}{64}$.390625	9.92188	$\frac{57}{64}$.890625	22.62188
$\frac{13}{32}$.40625	10.31875	$\frac{29}{32}$.90625	23.01875
$\frac{27}{64}$.421875	10.71563	$\frac{59}{64}$.921875	23.41563
$\frac{7}{16}$.4375	11.11250	$\frac{15}{16}$.9375	23.81250
$\frac{29}{64}$.453125	11.50938	$\frac{61}{64}$.953125	24.20938
$\frac{15}{32}$.46875	11.90625	$\frac{31}{32}$.96875	24.60625
$\frac{31}{64}$.484375	12.30313	$\frac{63}{64}$.984375	25.00313
$\frac{1}{2}$.500	12.70000	1	1.000	25.4000

METRIC EQUIVALENTS

CM	=	.3937 IN	LITER	=	.0353 CU FT	KILOGRAM	=	2.2046 LBS
METER	=	3.28 FT	LITER	=	.2642 GAL	KILOGRAM	=	.0011 TON(SHT)
METER	=	1.094 YD	LITER	=	61.023 CU IN	METRIC TON	=	1.1025 TON(SHT)
KILOM.	=	.621 MILE	CU FT	=	28.32 LITERS	GRAIN	=	.0648 GRAM
IN	=	2.54 CM	GAL	=	3.785 LITERS	OUNCE	=	28.35 GRAM
FT	=	.3048 METER	CU IN	=	.0164 LITERS	LBS	=	.454 KILGM.
YD	=	.9144 METER	GRAM	=	15.432 GRAINS	TON(SHT)	=	907.18 KILGM.
MILE	=	1.61 KILOM.	GRAM	=	.0353 OUNCE	TON(SHT)	=	.907 METRIC TON

Part Index

CAT #	PG #	CAT #	PG #	CAT #	PG #	CAT #	PG #	CAT #	PG #	CAT #	PG #	CAT #	PG #	CAT #	PG #
00101.....4	01002.....11	03253.....20	04287.....33	14043.....18	15507.....35	1631-037001.38	461-400001 9	6275-1.....23							
00102.....4	01003.....11	03273.....22	04288.....33	14044.....18	15508.....35	1631-050001.38	461-600001 9	6276-1.....23							
00103.....4	01004.....11	03350.....21	04289.....33	14050.....18	15509.....35	1631-075001.38	461-700001 9	6280-1.....23							
00104.....4	01005.....11	03351.....21	04290.....33	14051.....18	15510.....35	1632-012001.38	461-800001 9	6281-1.....23							
00105.....4	01006.....11	03352.....21	04291.....33	14052.....18	15511.....35	1632-025001.38	6101-1.....5	6282-1.....23							
00107.....4	01007.....11	03354.....21	04292.....33	14054.....18	15512.....35	1632-037001.38	6102-1.....5	6283-1.....23							
00108.....4	01013.....11	03355.....21	04293.....33	14055.....18	15603.....35	1632-050001.38	6103-1.....5	6284-1.....23							
00110.....4	01020.....11	03375.....22	04323.....36	14056.....18	15604.....35	1632-075001.38	6104-1.....5	6285-1.....23							
00111.....4	01052.....19	03386.....21	04400.....29	14060.....18	15605.....35	1633-012801.38	6105-1.....5	6286-1.....23							
00112.....4	01054.....19	03501.....18	04401.....29	14061.....18	15606.....35	1633-025801.38	6106-1.....5	6301-1.....28							
00113.....4	01143.....15	03502.....18	04402.....29	14063.....18	15607.....35	1633-037801.38	6107-1.....5	6302-1.....28							
00114.....4	01201.....13	03503.....18	04403.....29	14064.....18	15608.....35	1633-050801.38	6108-1.....5	6303-1.....28							
00118.....4	01202.....13	03531.....18	04404.....29	14070.....18	15609.....35	1633-075801.38	6109-1.....5	6305-1.....28							
00121.....4	01204.....13	03532.....18	04405.....29	14071.....18	15610.....35	1633-1602.....38	6110-1.....5	6306-1.....28							
00202.....4	01205.....13	03612.....20	04406.....29	14072.....18	15612.....35	1633-2402.....38	6111-1.....5	6307-1.....28							
00205.....4	01206.....13	03613.....20	05301.....15	14073.....18	15703.....35	1637-025800.39	6112-1.....5	6309-1.....27							
00208.....4	01207.....13	03665.....20	05302.....15	14074.....18	15703.....35	1637-037800.39	6113-1.....5	6326-1.....28							
00209.....4	01211.....13	03666.....20	05303.....15	14075.....18	15704.....35	1637-037805.39	6114-1.....5	6327-1.....28							
00211.....4	01216.....13	03669.....20	05305.....15	15202.....34	15705.....35	1637-037806.39	6115-1.....5	6328-1.....28							
00212.....4	01219.....14	03670.....20	07000.....49	15203.....34	15706.....35	1637-037807.39	6116-1.....5	6329-1.....28							
00218.....4	01220.....14	03902.....10	07001.....49	15204.....34	15707.....35	1637-037808.39	6117-1.....5	6330-1.....28							
00221.....4	01224.....14	04030.....31	07002.....49	15205.....34	15708.....35	1637-043001.39	6118-1.....5	6331-1.....28							
00230.....4	01228.....14	04031.....31	08155.....36	15212.....34	15709.....35	1637-050800.39	6119-1.....5	6332-1.....28							
00300.....6	01230.....14	04032.....31	08157.....36	15213.....34	15710.....35	1640-012800.40	6120-1.....5	6333-1.....28							
00302.....6	01232.....14	04033.....31	08165.....36	15214.....34	15711.....35	1640-025800.40	6121-1.....5	6334-1.....28							
00304.....6	01233.....14	04035.....31	08166.....36	15215.....34	15712.....35	1640-037800.40	6122-1.....6	6335-1.....28							
00305.....6	01236.....13	04040.....27	08241.....36	15216.....34	15803.....35	1640-050800.40	6123-1.....6	6336-1.....28							
00307.....6	01241.....14	04041.....27	08242.....36	15217.....34	15804.....35	1651-025026.40	6124-1.....6	6337-1.....28							
00308.....6	01301.....11	04042.....27	08243.....36	15218.....34	15805.....35	1651-025027.40	6125-1.....6	6338-1.....28							
00308B.....6	01305.....11	04043.....27	08244.....36	15221.....34	15806.....35	1651-037004.40	6126-1.....8	6339-1.....28							
00309.....6	01401.....13	04044.....27	08258.....36	15222.....34	15807.....35	1654-010800.39	6127-1.....8	6340-1.....28							
00311.....6	01404.....13	04045.....27	08259.....36	15223.....34	15808.....35	1654-012800.39	6128-1.....8	6341-1.....28							
00316.....6	01405.....13	04046.....27	08260.....36	15224.....34	15810.....35	1654-025800.39	6129-1.....8	6361-1.....29							
00318.....6	01450.....12	04051.....32	08261.....36	15231.....34	15812.....35	1654-037800.39	6130-1.....13	6362-1.....29							
00325.....6	01451.....12	04052.....27	08261.....36	15232.....34	32513.....20	1654-050800.39	6131-1.....13	6363-1.....29							
00330.....6	01501.....12	04053.....27	08264.....36	15233.....34	32514.....20	1655-1258xx.41	6132-1.....14	6364-1.....29							
00334.....6	01601.....12	04054.....27	08265.....36	15234.....34	32533.....20	1655-200822.43	6133-1.....14	6365-1.....29							
00403.....7	01602.....12	04055.....27	08266.....36	15302.....34	32534.....20	1655-2008XX.41	6134-1.....14	6366-1.....29							
00404.....7	01603.....12	04056.....27	08267.....36	15303.....34	32553.....20	1656-1259XX.43	6135-1.....14	6367-1.....29							
00405.....7	01607.....12	04057.....27	08267.....36	15305.....34	32554.....20	1656-2008XX.41	6136-1.....15	6368-1.....29							
00408.....7	01608.....12	04100.....30	08270.....36	15312.....34	32558.....20	1657-1257XX.43	6137-1.....15	6369-1.....29							
00409.....7	01609.....12	04101.....30	08271.....36	15313.....34	32734.....22	1657-3009xx.44	6138-1.....15	6370-1.....29							
00410.....7	01702.....16	04102.....30	09502.....24	15314.....34	32753.....22	1659-1259XX.43	6139-1.....15	6371-1.....29							
00411.....7	01703.....16	04110.....30	09503.....24	15315.....34	32754.....22	1661-3008XX.42	6140-1.....15	6372-1.....29							
00414.....7	01704.....16	04111.....30	09504.....24	15316.....34	32758.....22	1661-3009XX.42	6141-1.....15	6373-1.....29							
00501.....6	01705.....16	04112.....30	09505.....24	15317.....34	05-10.....4	1756-000001.35	6142-1.....15	6374-1.....29							
00502.....6	01708.....16	04119.....27	09506.....24	15318.....34	05-11.....4	1756-1.....36	6143-1.....15	6375-1.....29							
00503.....6	01900.....9	04120.....27	09507.....24	15321.....34	1010-025001.40	1757-1.....36	6144-1.....15	6376-1.....29							
00504.....6	01901.....9	04121.....27	09508.....24	15322.....34	1010-025002.40	1907-1.....46	6145-1.....15	6377-1.....29							
00505.....6	01902.....9	04122.....27	09512.....24	15323.....34	1010-025003.40	1907-2.....46	6146-1.....15	6378-1.....29							
00520.....7	01903.....9	04140.....31	09513.....24	15324.....34	1010-050000.40	1907-3.....46	6147-1.....15	6379-1.....29							
00521.....7	01905.....9	04141.....31	09514.....24	15331.....34	1010-070000.40	1907-4.....46	6148-1.....15	6402-1.....45							
00522.....7	02002.....10	04150.....31	09515.....24	15332.....34	1010-1.....40	1907-5.....46	6149-1.....15	6402-1.....45							
00523.....7	02003.....10	04151.....31	09516.....24	15333.....34	1010-10.....40	2004-834.....46	6201-1.....18	6403-1.....48							
00524.....7	02101.....9	04152.....31	09517.....24	15334.....34	1010-12.....40	2004-844.....36	6202-1.....18	6404-1.....48							
00525.....7	02102.....9	04153.....31	09518.....24	15402.....34	1010-13.....40	287-11.....11	6203-1.....18	6405-1.....45							
00531.....8	02103.....9	04154.....31	09520.....25	15403.....34	1010-150000.40	3074-329.....46	6210-1.....19	6405-1.....45							
00532.....8	02104.....9	04200.....31	09522.....25	15404.....34	1010-18.....40	3074-330.....46	6211-1.....19	6406-1.....48							
00533.....8	02105.....9	04204.....31	09522.....25	15405.....34	1010-2.....40	3078-15.....9	6212-1.....19	6458-1.....47							
00534.....8	02106.....9	04240.....33	09530.....25	15407.....34	1010-23.....40	3078-17.....9	6220-1.....19	6650-1.....45							
00535.....8	02107.....9	04241.....33	09540.....25	15412.....34	1010-28.....40	3078-18.....9	6221-1.....19	6651-1.....45							
00541.....8	02108.....9	04242.....33	09551.....25	15413.....34	1010-6.....40	3078-195.....10	6222-1.....19	6652-1.....45							
00543.....8	02109.....9	04243.....33	09552.....25	15414.....34	1010-7.....40	3078-2.....9	6223-1.....19	6653-1.....45							
00546.....8	02111.....9	04243.....36	09561.....25	15415.....34	1010-8.....40	3078-20.....9	6230-1.....22	6654-1.....45							
00550.....8	02112.....9	04245.....33	09562.....25	15416.....34	114-16.....7	3078-21.....9	6231-1.....22	6655-1.....45							
00551.....8	02113.....9	04251.....32	09566.....25	15417.....34	134-9.....6	3078-22.....9	6232-1.....22	6656-1.....45							
00553.....8	02114.....9	04252.....32	09565.....25	15418.....34	144-31.....16	3078-3.....9	6233-1.....22	6657-1.....45							
00801.....14	02115.....9	04253.....32	09567.....25	15421.....34	144-32.....16	3078-6.....10	6240-1.....21	6658-1.....45							
00802.....14	02116.....9	04254.....32	09570.....25	15422.....34	144-33.....16	3081-1.....36	6241-1.....21	6659-1.....45							
00803.....14	02201.....10	04255.....32	09571.....25	15423.....34	144-34.....16	336-1.....13	6250-1.....21	6660-1.....45							
00804.....14	02202.....10	04258.....32	09573.....25	15424.....34	144-35.....16	4200-91.....30	6251-1.....21	6661-1.....45							
00805.....14	02203.....10	04259.....32	09574.....25	15431.....34	144-36.....16	4200-92.....30	6260-1.....22	6662-1.....45							
00806.....14	02207.....10	04280.....33	09581.....24	15432.....34	1611-037301.38	4200-93.....30	6261-1.....22	6663-1.....45							
00807.....14	02208.....10	04281.....33	14030.....18	15433.....34	1612-037401.38	451-1.....9	6262-1.....21	6664-1.....45							
00808.....14	02301.....11	04282.....33	14031.....18	15434.....34	1612-037405.38	451-100001.9	6270-1.....23	6665-1.....45							
00809.....14	02302.....11	04283.....33	14032.....18	15503.....35	1614-075301.38	452-1.....9	6271-1.....23	6666-1.....45							
00901.....12	02505.....9	04284.....33	14033.....18	15504.....35	1631-012001.38	461-100001.9	6272-1.....23	6667-1.....45							
00902.....12	03201.....16	04285.....33	14040.....18	15505.....35	1631-025001.38	461-200001.9	6273-1.....23								
01001.....11	03251.....20	04286.....33	14041.....18	15506.....35	1631-025002.38	461-300001.9	6274-1.....23								

**Oil Hole Covers and Cups
Bottle and Brush Oilers
Liquid Level View Gauges
Breather and Pressure/Vacuum
Vents
Expansion Chambers
Automatic Lubrication System
Magnetic Plugs
Shaft Seals**

New Features

- **Metric and British pipe thread
oil hole covers, oil cups and
liquid level gauges**

**Gits Manufacturing Company
1739 Commerce Rd
Creston, IA 50801-8900
Phone: 641-782-2105
Fax: 641-782-6365
Toll Free in the USA: 800-323-3238**

**SPECIALIZING IN
ENGINEERED PRODUCTS
MECHANICAL ACTUATORS
VENTS LUBRICATION PRODUCTS
SEALS**

**Visit us on the world wide web at
www.gitsmfg.com**

